

STOANE LIGHTING

EQUIPMENT DESIGN + MANUFACTURE

ZTA.70.Surface.Wall Wash STD-000308-0012

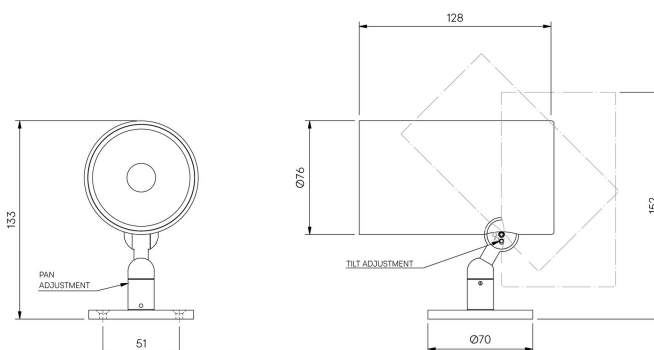
Modular high-performance, surface mounted spotlight system, for interior architectural applications such as Museums, Galleries, Retail and Workplace environments. Engineered for exceptional durability, maintainability, re-manufacturability, and recyclability, this spotlight sets a new standard for sustainable design.

Product Description

ZTA.70.Surface.Wall Wash is constructed from extruded and precision-machined recycled aluminium, the spotlight features an anodised and powder-coated finish for enhanced durability and aesthetics. The spotlight can accommodate up to two lens accessories and multiple attachments, making it highly customisable for various lighting needs.

Key Features

- Sustainable Construction: Made from recycled aluminium with a long-lasting anodised and powder-coated finish. Specialist finishes available on request.
- Versatile Adjustment: 363° pan rotation and 130° tilt with a lockable spot.
- High-Performance Lighting: Up to 98 CRI LEDs.
- Customisable Accessories: Can house up to two lens accessories and various attachments.
- Advanced dimming options: DALI, 0-10V, DMX and Wireless dimming, down to 0.1%.



STOANE LIGHTING

EQUIPMENT DESIGN + MANUFACTURE

ZTA.70.Surface.Wall Wash STD-000308-0012

Configured Product

CCT

2700K

CRI

90

Supply

Constant Current

Finish

Please contact us for custom finishing requirements

Matt Black

Dimming

Driver specific

Attachments

None

Cable route

Through Base

Cable Length

500mm

Secondary Lensing Accessories

With accessories