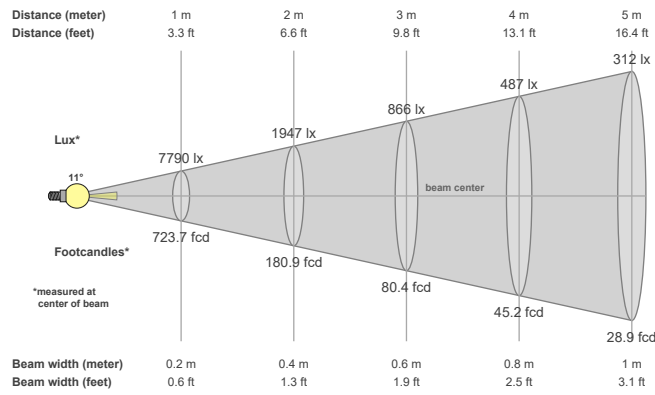
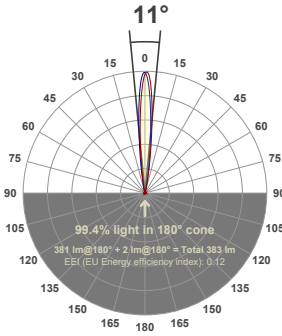


# STOANE LIGHTING

EQUIPMENT DESIGN + MANUFACTURE

**Fitting name:**  
**MSL\_ZTA.50 Surface\_4.5mm Xicato**  
**XOB\_90CRI\_3000K\_423lm\_Narrow**

**Date:**  
**07/12/2022**



## Beam intensities from 1-20m

1m	2m	3m	4m	5m	6m	7m	8m	9m	10m	11m	12m	13m	14m	15m	16m	17m	18m	19m	20m
3.3ft	6.6ft	9.8ft	13.1ft	16.4ft	19.7ft	23ft	26.2ft	29.5ft	32.8ft	36.1ft	39.4ft	42.7ft	45.9ft	49.2ft	52.5ft	55.8ft	59.1ft	62.3ft	65.6ft
7790lx	1947lx	866lx	487lx	312lx	216lx	159lx	122lx	96lx	78lx	64lx	54lx	46lx	40lx	35lx	30lx	27lx	24lx	22lx	19lx
723.7fcd	180.9fcd	80.4fcd	45.2fcd	28.9fcd	20.1fcd	14.8fcd	11.3fcd	8.9fcd	7.2fcd	6fcd	5fcd	4.3fcd	3.7fcd	3.2fcd	2.8fcd	2.5fcd	2.2fcd		