



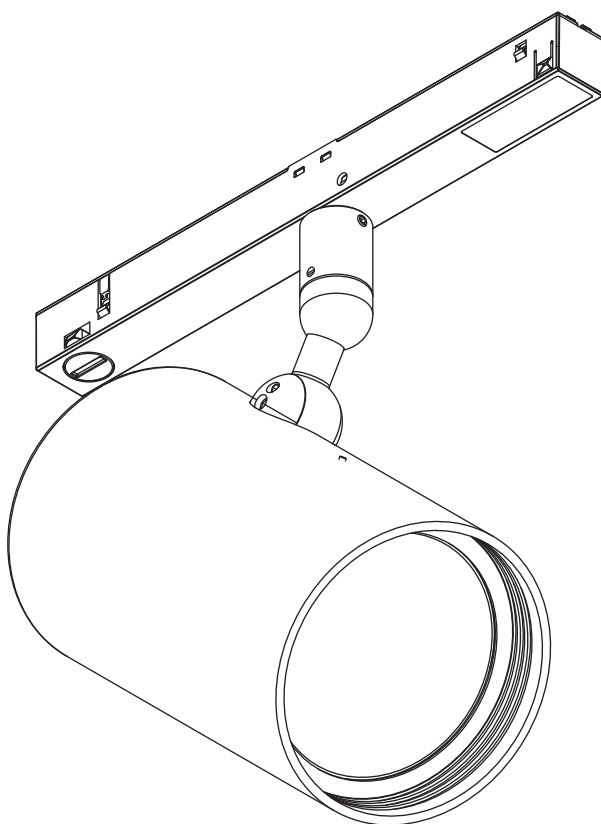
All of our in-house printed paper is 100% recycled and recyclable

**STOANE LIGHTING**

EQUIPMENT DESIGN + MANUFACTURE


## ZTA.70 Stucchi LV Track

### Installation and Maintenance Instructions



**IMPORTANT: All wiring connections must be made before switching on mains power.**

 Xicato LED Module

 This product should not be disposed of in your general waste

 Please retain these instructions for future reference

 Class III - Extra Low Voltage

**IP20** Indoor Use Only

 European Conformity

Stoane Lighting Ltd  
20 Dryden Road Bilston Glen Ind Est.  
Loanhead Midlothian EH20 9LZ UK

T: +44 (0) 131 440 1313  
F: +44 (0) 131 440 0049  
sales@mikestoanelighting.com

www.stoanelighting.com  
VAT No GB682885284  
Limited Company 188910

## Electrical Supply

Installation must be carried out by a qualified electrician in accordance with BS 7671:2008 Wiring Regulations. 48VDC constant voltage supply to suitable lighting track.

Site conditions: LED equipment is more susceptible to static damage and over voltage than previous technology. Before handling or connecting to the mains supply ensure that all Stoane Lighting (SL) products are protected from static discharge and that the mains supply is to regulation. (230V +10 -6%)

This fitting is supplied with a Xicato LED module. Refer to the fitting label for the module version and wattage. More information on the module can be found at [www.xicato.com/support](http://www.xicato.com/support)

Mains cables must be double insulated, strain relieved and separated from E.L.V output cables.

**This unit requires a 48V constant voltage PSU to suitable lighting track.**

**Observe polarity:**  
Positive (+) is marked as RED.  
Incorrect supply or reverse polarity can cause irreparable damage.

**All connections must be made before switching on mains.** If the supply is energised prior to making the connections to the fitting then the resulting surge will damage the LED.

All lighting equipment is delicate and easily damaged through misuse or inappropriate installation (mechanical or electrical). Repairs and replacements may cause delays and will be chargeable. Contact SL for support if required. For full warranty terms & conditions please visit our website.

When supplying digital equipment with the potential to be connected to networks, physically or wirelessly (i.e. Bluetooth, WiFi, DMX radio etc.), SL does not take responsibility for the digital security of the equipment or associated networks. It is the customer's responsibility to select a protocol suitably robust for their requirements and to ensure responsible utilisation of passwords.

The light source contained in this luminaire shall only be replaced by the manufacturer or his service agent or a similar qualified person.

Caution - This product contains magnets. Magnets are dangerous if ingested, can affect pacemakers and other magnetically sensitive equipment.

## Installation

Check that the mounting surface is suitable for the installation of this fitting. **Fitting Weight : 0.6kg.**

The track should be isolated from the supply before adding or removing fittings.

Track must be installed horizontally.

**Step 1** Insert the fitting into the track. When inserting the track adaptor into the track. Apply force to the track adaptor to push into place.

**Step 2** To lock the fitting in place, tighten the slotted security lock shown with a suitable screwdriver. Unscrew the lock to remove from the track when required.

**Step 3** Make mains connections to SELV transformer and extra low voltage connections to the track. Ensure that polarity on the track is correct before applying power.

**WARNING: Do not look at exposed LED lamps in operation. Eye injury can result.**

Additional items should not be hung or suspended from this fitting. SL takes no responsibility for additional items added by others or the consequences of those items.

SL can provide assistance on dimming compatibility or control systems by request. For advice on specific dimming systems we recommend seeking assistance from the commissioning engineer or the control systems provider in the first instance.

## Cleaning:

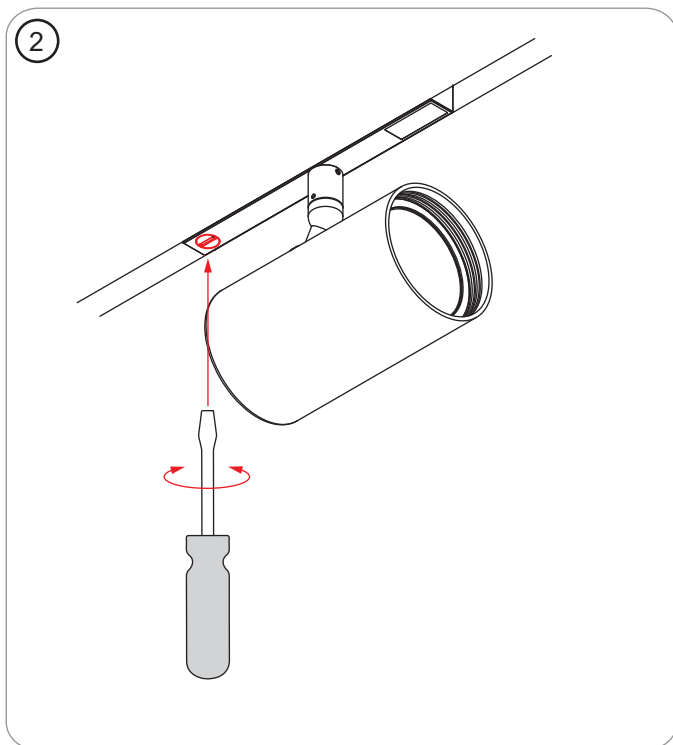
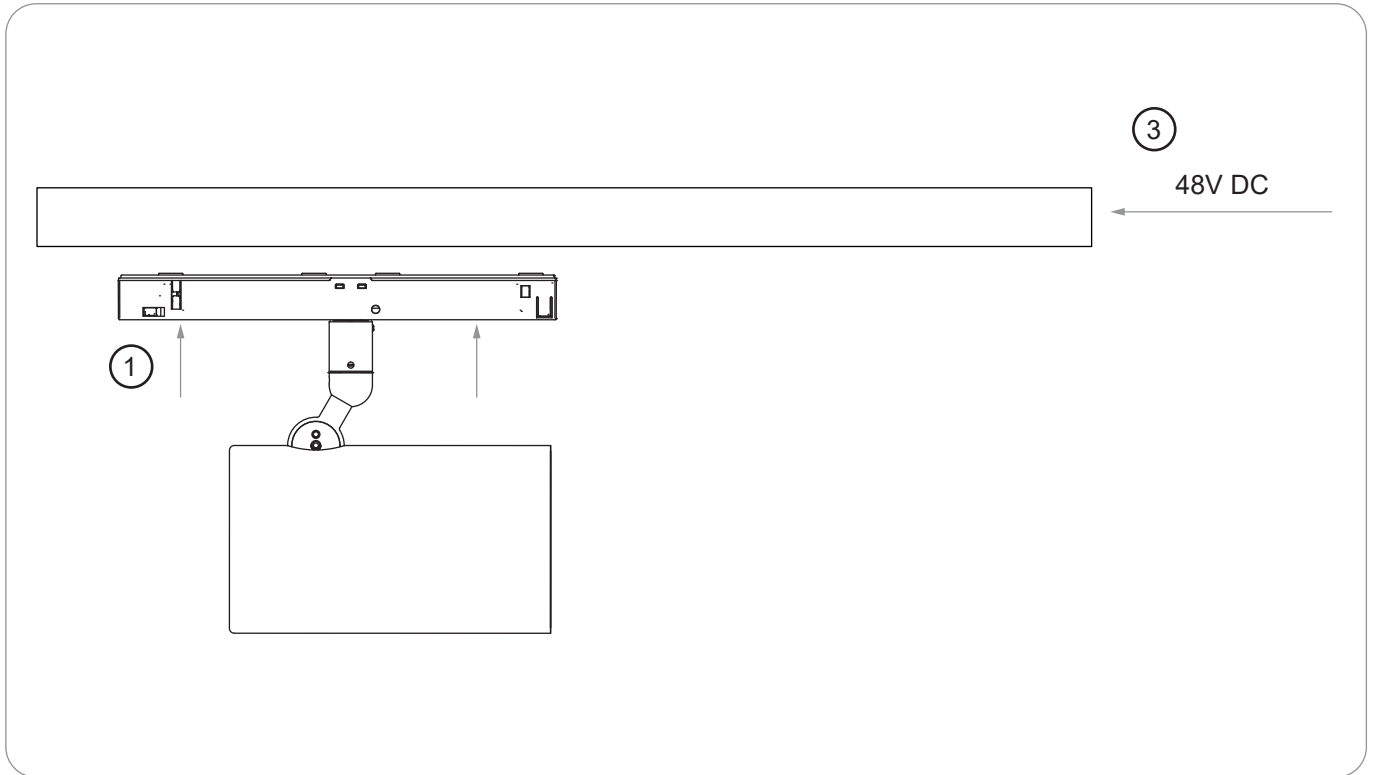
Fully isolate the fitting and allow to cool.

Clean the fitting with a slightly damp lint free cloth from a mild solution of soap and water. The fitting must be completely dry before reconnecting power.

Incompatible or abrasive chemicals can damage the fitting, contact SL for advice if required.

# STOANE LIGHTING

EQUIPMENT DESIGN + MANUFACTURE



## MODULE AND ACCESSORIES

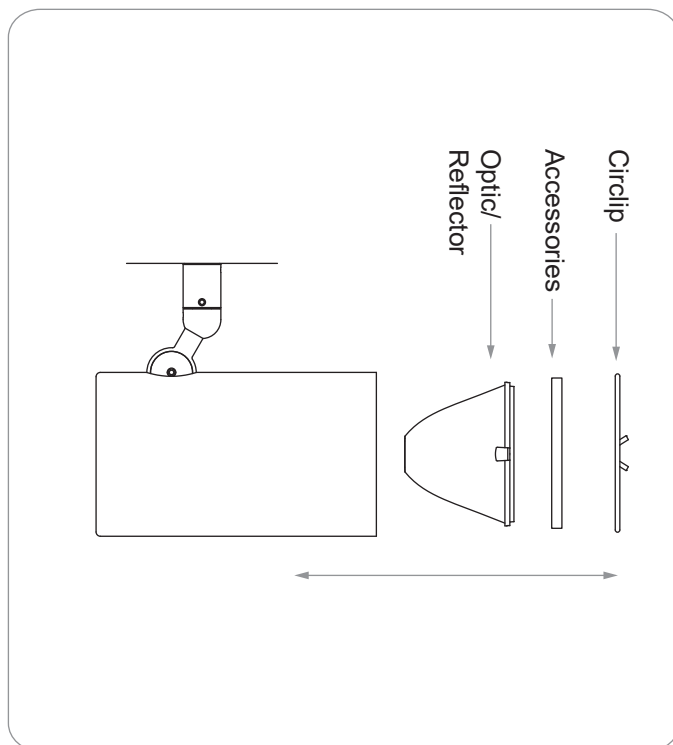
The colour temperature and lumen output can be found on the product label on the fitting.

To add/remove accessories:

Isolate the fitting from the supply and allow to cool.

Step 1 To remove optic and accessories remove circlip.

Step 2 Replace optic/accessories as required and replace circlip to secure.



## ADJUSTMENT

To adjust the tilt and pan of the fitting use the supplied 2mm Allen key to loosen off the tilt and pan lock screws.

Once the desired angle is achieved lock off the screws.

**DO NOT** over tighten the screws as this could damage the lock and cause it to no longer function.

