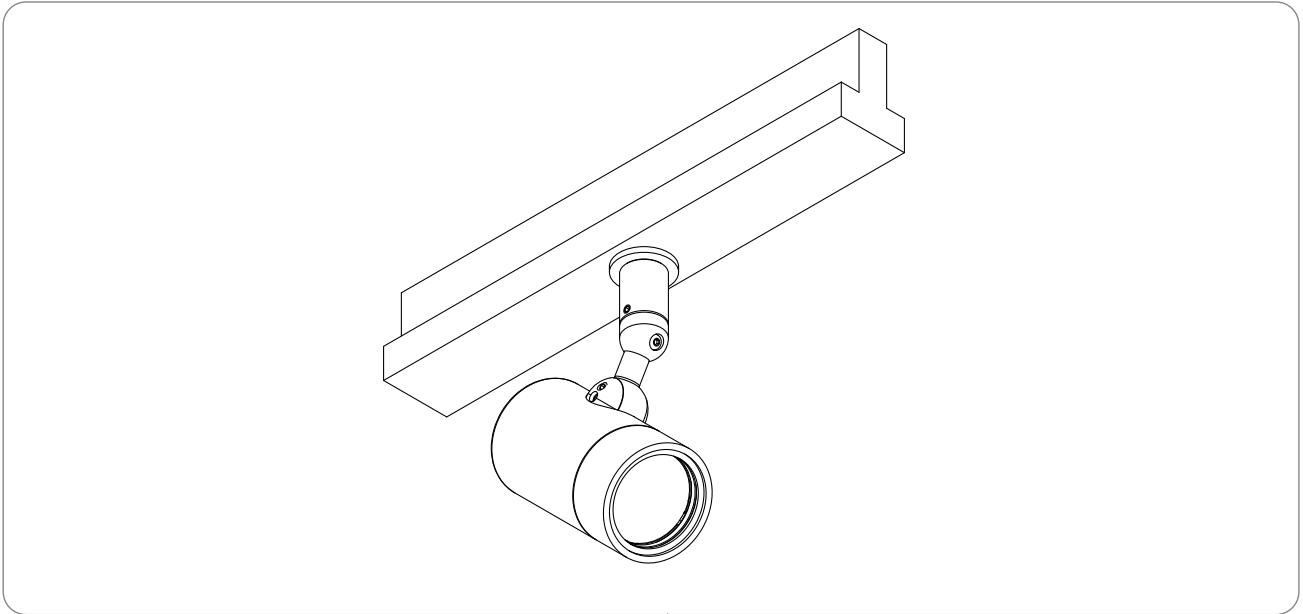


Order Code	ZTA.35 Mains Track.light source.beam.finish
Example	ZTA.35 Mains Track.XOB.medium.RAL9010

- Materials: Aluminium
- Light source: Xicato XOB 4mm, or 6mm LED
- Finish: Anodised or painted to any RAL colour
- Locking: 2mm Allen key required
- Available Tilt: $\pm 120^\circ$
- Weight: 0.35kg
- Description: ZTA is a truly unconstrained new product range, be that in choice of light source, optic, paint finish, control system or how it's mounted. With a simpler aesthetic, it offers versatility and a product that is truly maintainable, re-manufacturable and ultimately recyclable.
- Accessories: Beam angles dependant on light source. See website for full details.
 $\varnothing 35\text{mm}$ lenses and louvres available.
- Zoom option available
 4mm (17.2° - 46.8°)
 6mm (21.6° - 44.9°).



ZTA.35 Mains Track Configurations



Xicato XOB 4mm

Dimming Option

0-10V, DALI or
Wireless

CRI ≥ 90 423lm <small>(Initial @ 3000k)</small>	CRI ≥ 95 385lm <small>(Initial @ 3000K)</small>
---	---

CCT

2700K, 3000K, 3500K,
or 4000K

Beam Options

Narrow (13.6°)
Medium (22°)
Flood (35.4°)
Wide Flood (52.8°)

Zoom (17.2°-46.8°)



Xicato XOB 6mm

Dimming Option

0-10V, DALI or
Wireless

CRI ≥ 90 873lm <small>(Initial @ 3000k)</small>	CRI ≥ 95 798lm <small>(Initial @ 3000K)</small>
---	---

CCT

2700K, 3000K, 3500K,
or 4000K

Beam Options

Narrow (17.8°)
Medium (23°)
Flood (34.6°)
Wide Flood (54.5°)

Zoom (21.6°-44.9°)