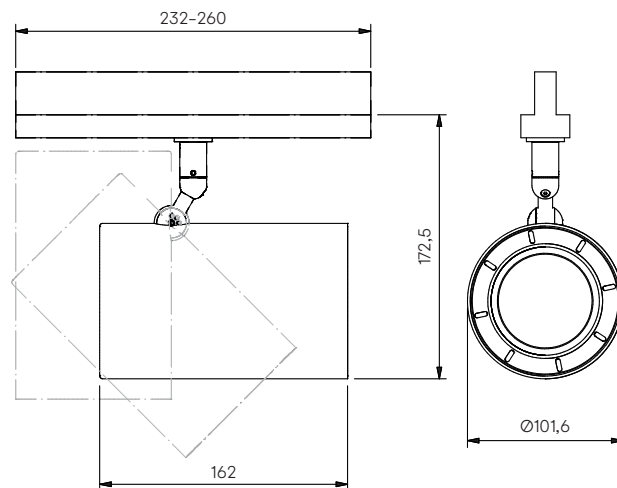


ZTA.100 Mains Track

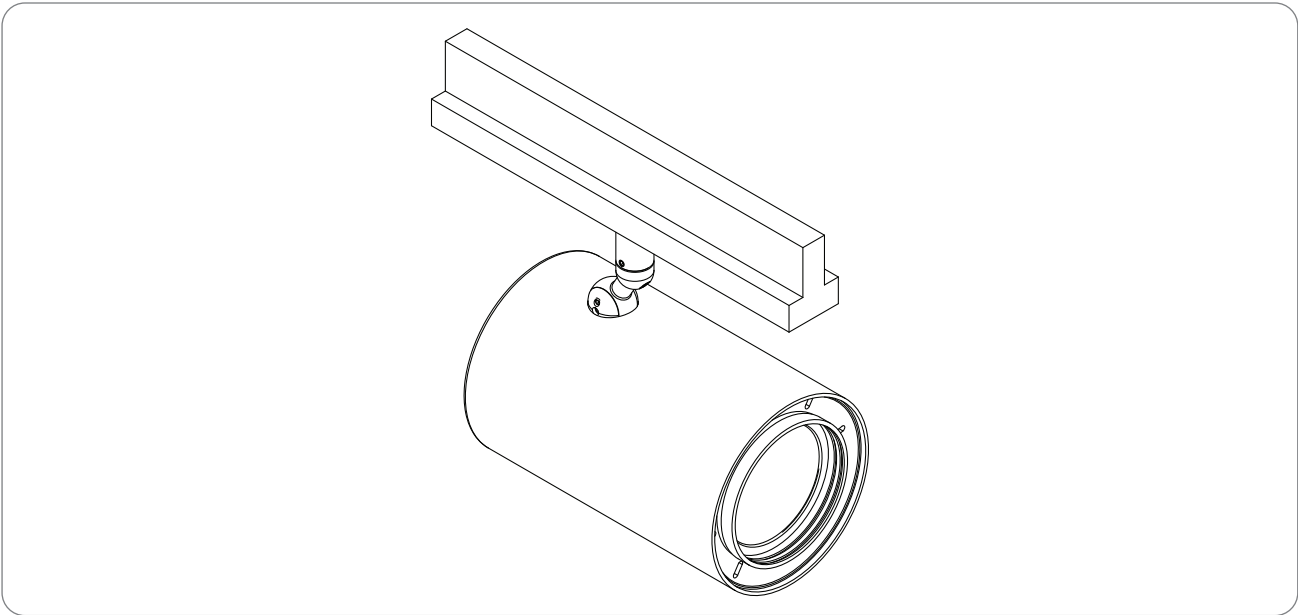


Order Code	ZTA.100 Mains Track.light source.beam.finish
Example	ZTA.100 Mains Track.XOB.medium.RAL9010



- Materials: Machined Aluminium
- Light source: 14mm LES XOB
- Finish: Anodised or painted to any RAL colour
- Locking: 2mm Allen key required
- Available tilt: 130°
- Available Pan: 393°
- Weight: 1.7kg
- Description: ZTA is a truly unconstrained new product range, be that in choice of light source, optic, paint finish, control system or how it's mounted. With a simpler aesthetic, it offers versatility and a product that is truly maintainable, re-manufacturable and ultimately recyclable.
- Accessories: Please find photometry data on the product page on our website.
Ø70mm lenses and louvres available.

ZTA.100 Mains Track Configurations



Xicato XOB 14.5mm
37V_r 35.9W @ 1050mA

Dimming Options

0-10V, DALI, wireless or
on-board

CRI ≥ 90 4300lm (Initial @ 3000k)	CRI ≥ 95 3850lm (Initial @ 3000K)
---	---

CCT

2700K, 3000K, 3500K,
or 4000K

Beam Options

- Narrow (22°)
- Medium (24.5°)
- Flood (31.7°)
- Flood 2 (45.7°)
- Wide Flood (60.9°)