

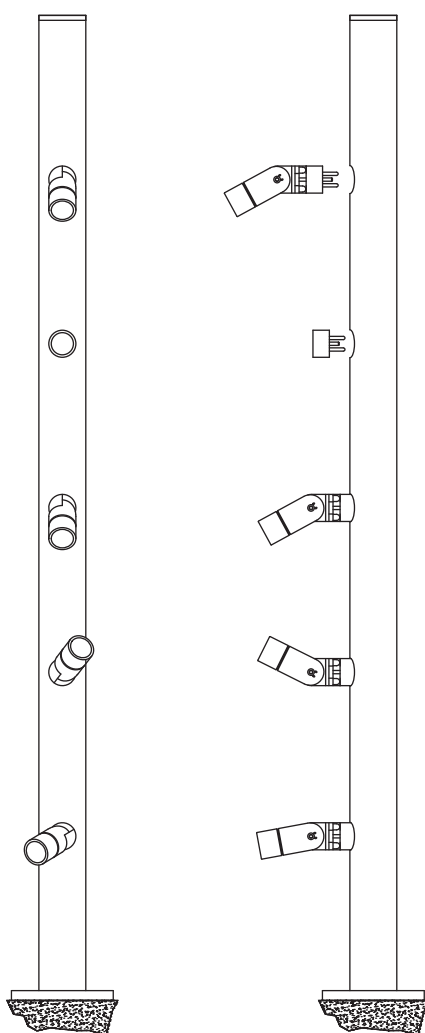
 All of our in-house printed paper is 100% recycled and recyclable

STOANE LIGHTING


EQUIPMENT DESIGN + MANUFACTURE


Surf S Tree


Installation and Maintenance Instructions



IMPORTANT: All wiring connections must be made before switching on mains power.

 SL Type S 2.85V_F 1.4W @ 500mA (Per LED)

 Class III - Extra Low Voltage

 This product should not be disposed of in your general waste

IP20 Indoor Use Only

 Please retain these instructions for future reference

 European Conformity

Stoane Lighting Ltd
20 Dryden Road Bilston Glen Ind Est.
Loanhead Midlothian EH20 9LZ UK

T: +44 (0) 131 440 1313
F: +44 (0) 131 440 0049
sales@mikestoanelighting.com

www.stoanelighting.com
VAT No GB682885284
Limited Company 188910

Electrical Supply

Installation must be carried out by a qualified electrician in accordance with BS 7671:2008 Wiring Regulations. 230/240V AC 50/60Hz mains supply to a suitable SELV LED Driver.

Site conditions: LED equipment is more susceptible to static damage and over voltage than previous technology. Before handling or connecting to the mains supply ensure that all Stoane Lighting (SL) products are protected from static discharge and that the mains supply is to regulation. (230V +10 -6%)

Mains cables must be double insulated, strain relieved and separated from E.L.V output cables.

This unit requires a constant current driver. 500mA Max.

Observe polarity:

Positive (+) is marked as RED.

Incorrect supply or reverse polarity can cause irreparable damage.

All connections must be made before switching on mains. If the supply is energised prior to making the connections to the fitting then the resulting surge will damage the LED.

Multiple LEDs are wired in series, refer to driver instructions for minimum/maximum load. For maximum distance from fitting to driver please see the driver instructions or contact SL.

All lighting equipment is delicate and easily damaged through misuse or inappropriate installation (mechanical or electrical). Repairs and replacements may cause delays and will be chargeable. Contact SL for support if required. For full warranty terms & conditions please visit our website.

The light source contained in this luminaire shall only be replaced by the manufacturer or his service agent or a similar qualified person.

The entire dimming control circuit source must be of SELV insulation class.

Installation

Check that the mounting surface is suitable for the installation of this fitting.

This fitting should be mounted in a vertical orientation only.

Step 1 Make mains connections to SELV LED driver and extra low voltage connections to the fitting.

Step 2 Place the 'stem' in the required position and secure using all three mounting slots.

Step 3 Slide the vanity plate down over the stem to lie flush at the base of the fitting.

Step 4 Plug in the Surf S heads or blanking plugs until all the positions are taken.

Step 5 Adjust the heads as required with the supplied 1.5mm Allen key.

Never add or remove heads or blanking plugs with the unit switched on as this will cause the unit to fail.

The unit will not function if any of the sockets do not have a head or blanking plug inserted.

WARNING: Do not look at exposed LED lamps in operation. Eye injury can result.

Cleaning:

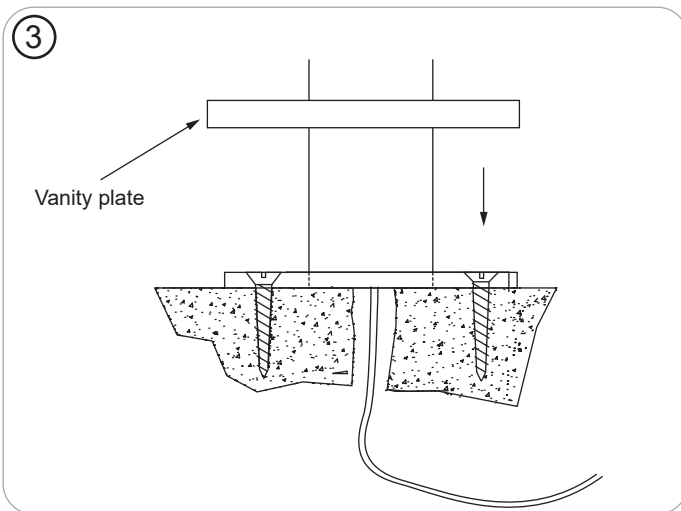
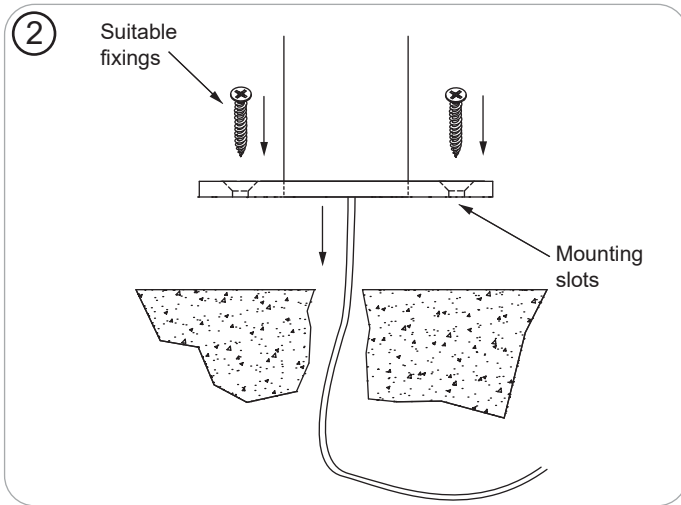
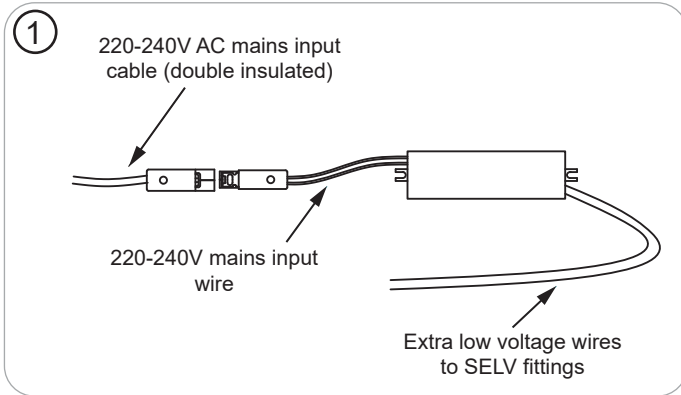
Fully isolate the fitting and allow to cool.

Clean the fitting with a slightly damp lint free cloth from a mild solution of soap and water. The fitting must be completely dry before reconnecting power.

Incompatible or abrasive chemicals can damage the fitting, contact SL for advice if required.

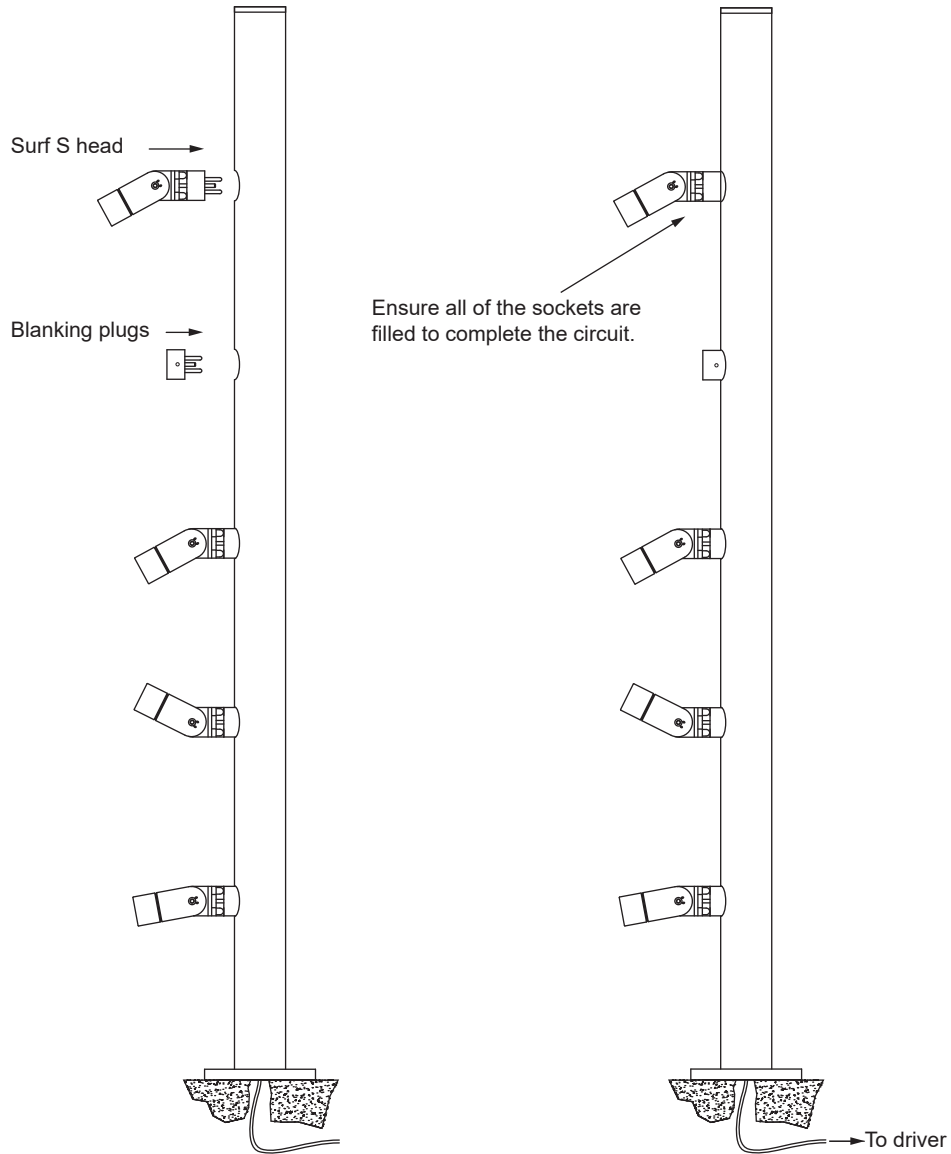
STOANE LIGHTING

EQUIPMENT DESIGN + MANUFACTURE



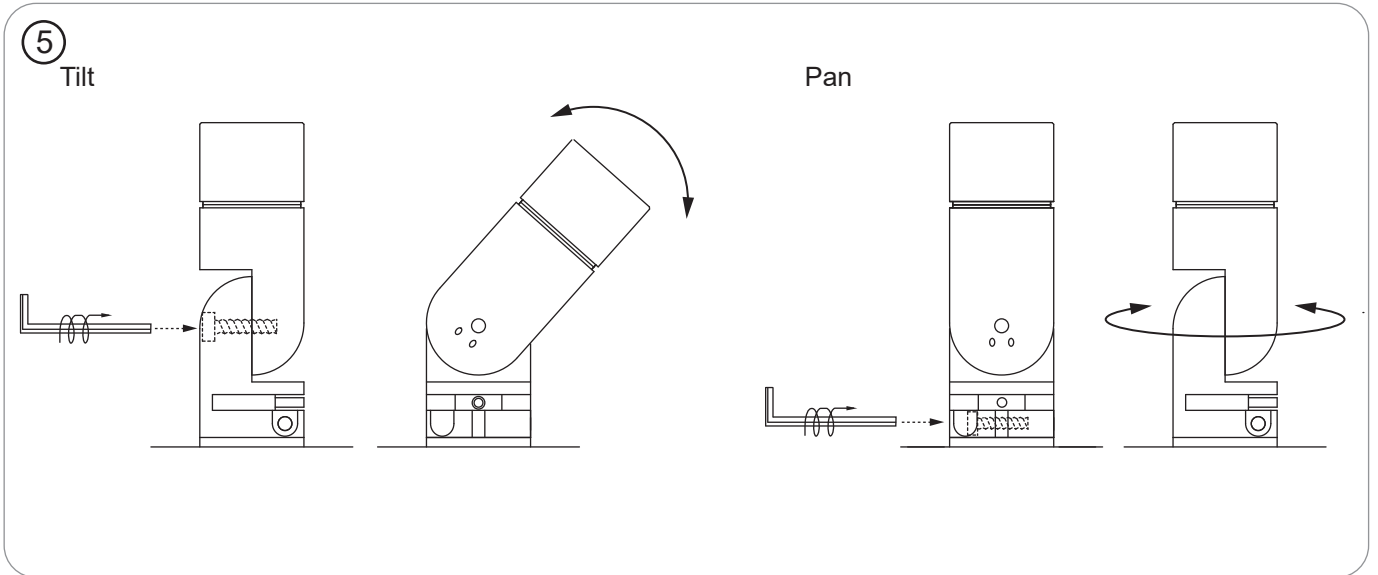
4

Turn OFF power before inserting or removing Surf S heads or blanking plugs.
If this is not carried out it will cause the fitting to permanently fail.



STOANE LIGHTING

EQUIPMENT DESIGN + MANUFACTURE



OPTIC CHANGE

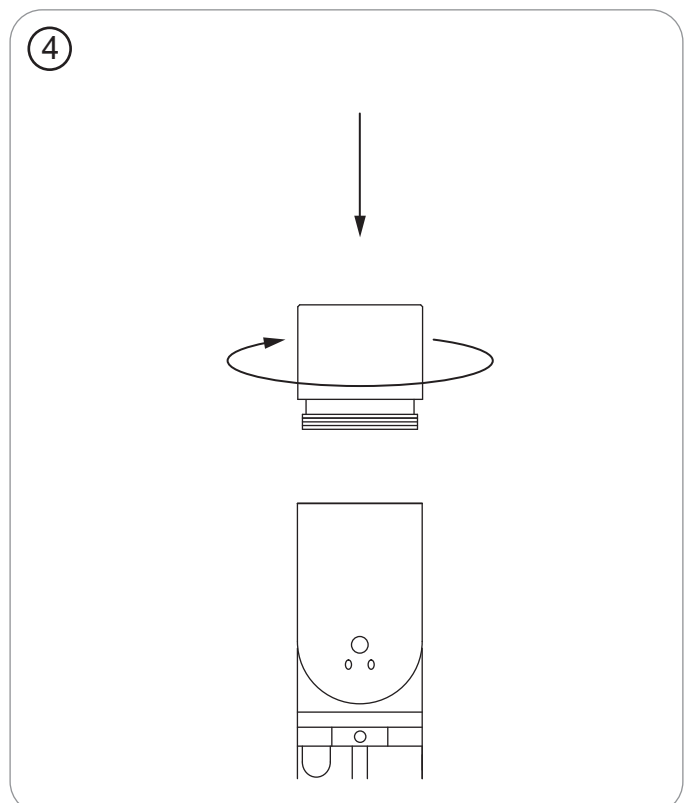
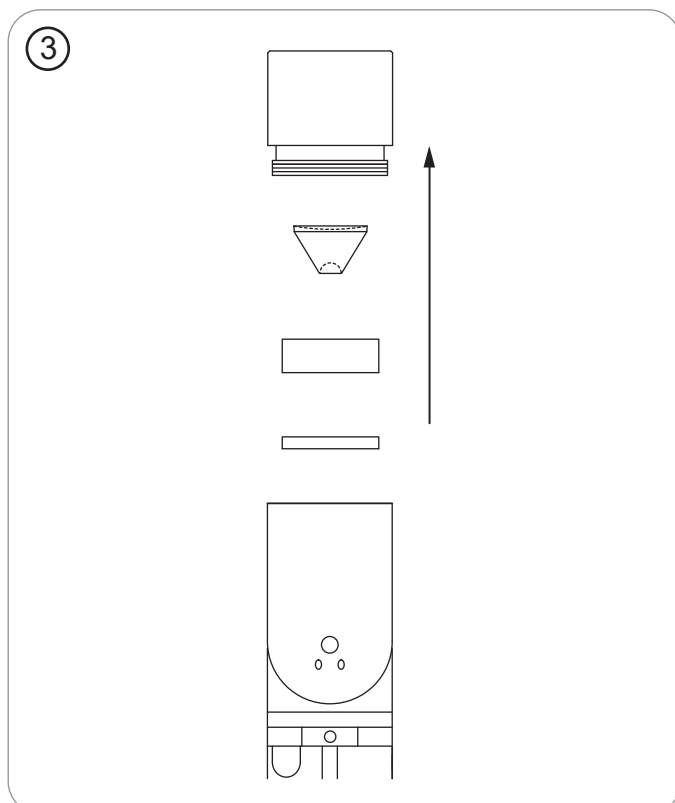
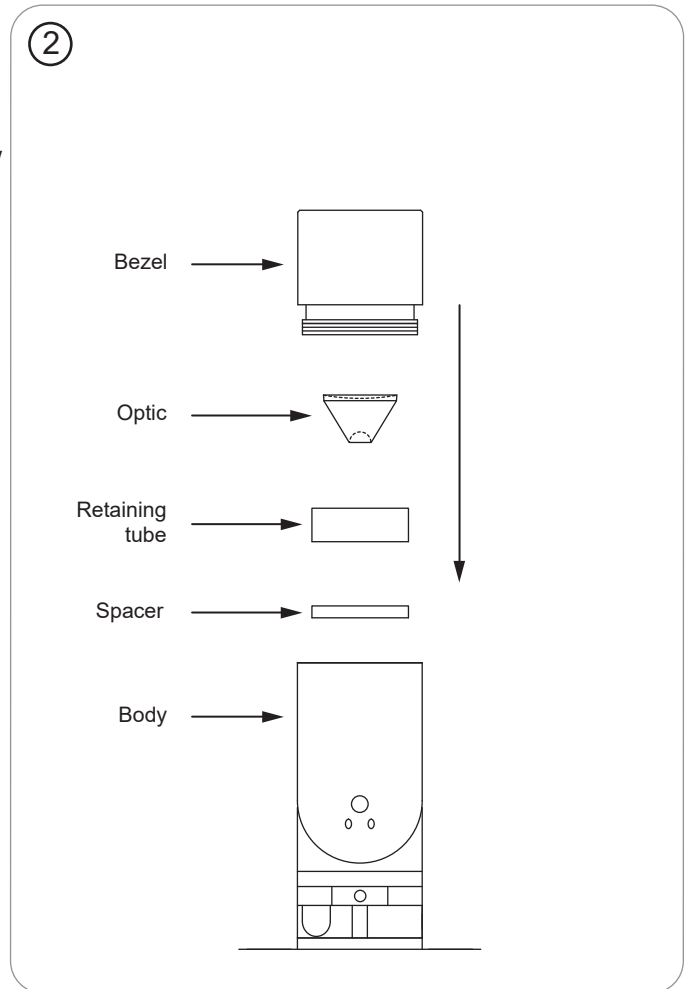
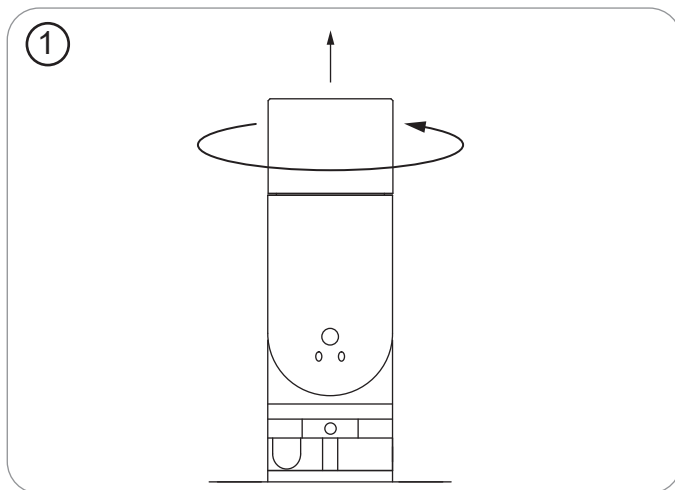
Step 1 First remove the bezel by unscrewing.

Step 2 Once unscrewed remove the optic retaining clip from the bezel with a small screw driver and allow the optic to fall out.

Step 3 Insert new optic and insert retaining clip.

Step 4 Screw the bezel back onto the body until fully tightened.

Warning - Failure to tighten fully with all appropriate components in place may result in premature failure of fitting.



Very Narrow Beam Accessory

Adding the Narrow Beam Accessory

Step 1 First remove the standard Surf S bezel by unscrewing.

Step 2 Remove the bezel, optic and optic retaining clip.

Step 3 Screw the narrow beam optic holder into the body until fully tightened.

Step 4 Add or remove the diffuser as required and screw the narrow beam bezel onto the fitting.

Note that the supplied diffuser can be used to give a cleaner beam, or can be removed to give a tighter beam.

Warning - Failure to tighten fully with all appropriate components in place may result in premature failure of fitting.

