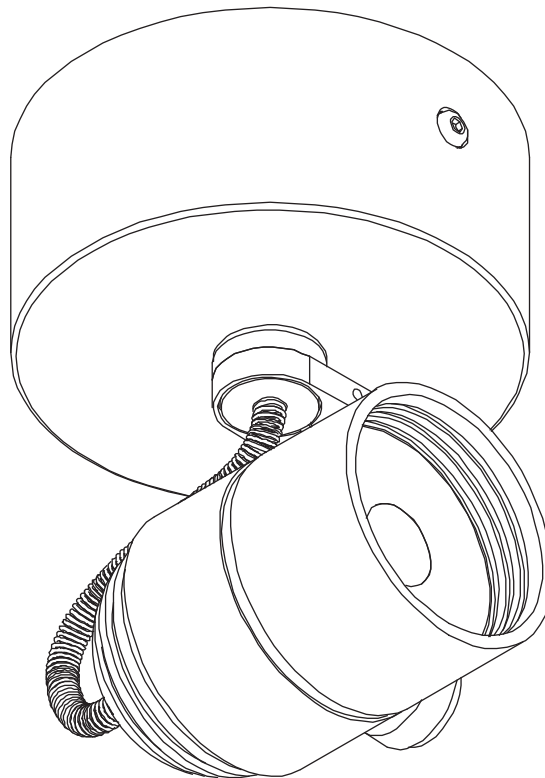


STOANE LIGHTING


EQUIPMENT DESIGN + MANUFACTURE

STX2.50 Integral


Installation and Maintenance Instructions




IMPORTANT: All wiring connections must be made before switching on mains power.


 Xicato LED Module

 This product should not be disposed of in your general waste

 Please retain these instructions for future reference

 Class I - Fitting must be Earthed

 Indoor Use Only

 CE European Conformity

Mike Stoane Lighting Ltd
20 Dryden Road Bilston Glen Ind Est.
Loanhead Midlothian EH20 9LZ UK

T: +44 (0) 131 440 1313
F: +44 (0) 131 440 0049
sales@mikestoanelighting.com

www.mikestoanelighting.com
VAT No GB682885284
Limited Company 188910

Electrical Supply

Installation must be carried out by a qualified electrician in accordance with BS 7671:2008 Wiring Regulations. 230/240V AC 50/60Hz mains supply.

Site conditions: LED equipment is more susceptible to static damage and overvoltage than previous technology. Before handling or connecting to the mains supply ensure that all MSL products are protected from static discharge and that the mains supply is to regulation. (230V +10 -6%)

This fitting is supplied with a Xicato LED module. Refer to the fitting label for the module version and wattage. More information on the module can be found at www.xicato.com/support

Mains cables must be double insulated, strain relieved and separated from E.L.V output cables.

All connections must be made before switching on mains.

The light source contained in this luminaire shall only be replaced by the manufacturer or his service agent or a similar qualified person.

All lighting equipment is delicate and easily damaged through misuse or inappropriate installation (mechanical or electrical). Repairs and replacements may cause delays and will be chargeable. Contact MSL for support if required. For full warranty terms & conditions please visit our website.

When supplying digital equipment with the potential to be connected to networks, physically or wirelessly (i.e. Bluetooth, WiFi, DMX radio etc.), MSL does not take responsibility for the digital security of the equipment or associated networks. It is the customer's responsibility to select a protocol suitably robust for their requirements and to ensure responsible utilisation of passwords.

Dimming control circuit source must be of SELV insulation class.

This fitting can be suitable for DALI, 1-10V, on board or Bluetooth dimming. Please check the product label for the dimming protocol of the supplied fitting.

Installation

Check that the mounting surface is suitable for the installation of this fitting. **Fitting Weight : 0.6kg.**

A suitable hole is required for incoming mains supply.

Step 1 Secure the mounting bracket to the mounting surface with suitable fixings.

Step 2 Make Live and Neutral connections to the SELV LED PSU and the Earth connection to the supplied connectors. Punch holes through the rubber inserts as required.

Additional dimming connections (if specified) will be marked for easy identification.

Dim (+) purple
Dim (-) grey

Step 3 Attach the body of the fitting to the mount bracket and secure with the supplied M4 fixings. Ensure these fixings are fully tightened. Take care not to trap any cables when securing in place.

WARNING: Do not look at exposed LED lamps in operation. Eye injury can result.

Cleaning:

Fully isolate the fitting and allow to cool.

Clean the fitting with a slightly damp lint free cloth from a mild solution of soap and water. The fitting must be completely dry before reconnecting power.

Incompatible or abrasive chemicals can damage the fitting, contact MSL for advice if required.

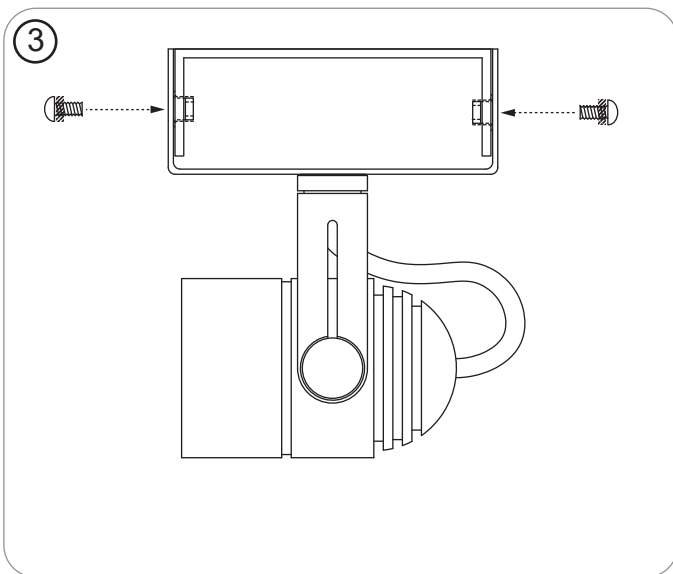
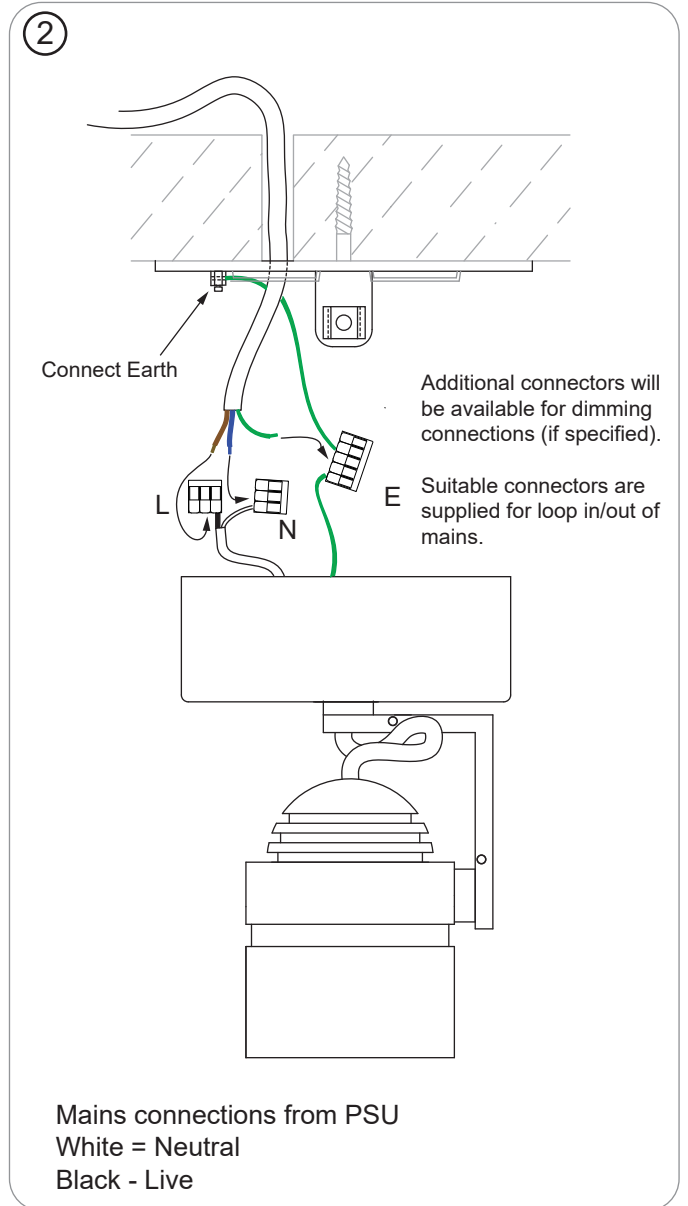
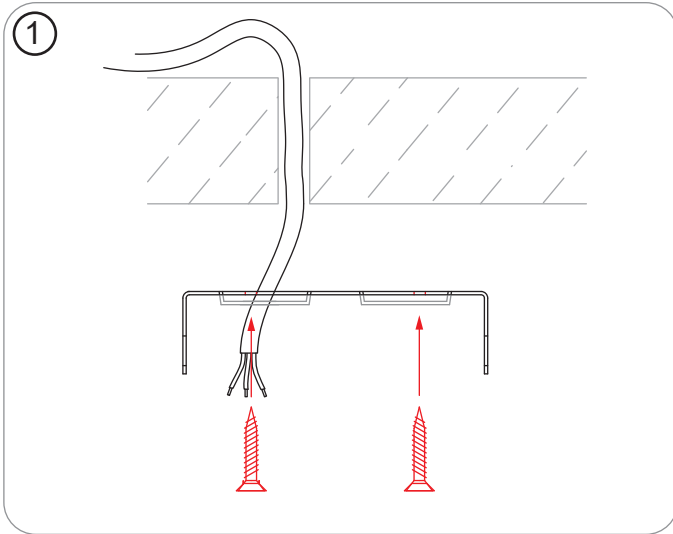
Bluetooth Low Energy (If applicable)

BLE networks should be secured during commissioning via the Xicato Control Panel software.

This fitting can be dimmed via Bluetooth using the Ximtrroller app available from the Apple App Store.

STOANE LIGHTING

EQUIPMENT DESIGN + MANUFACTURE



MODULE AND ACCESSORIES

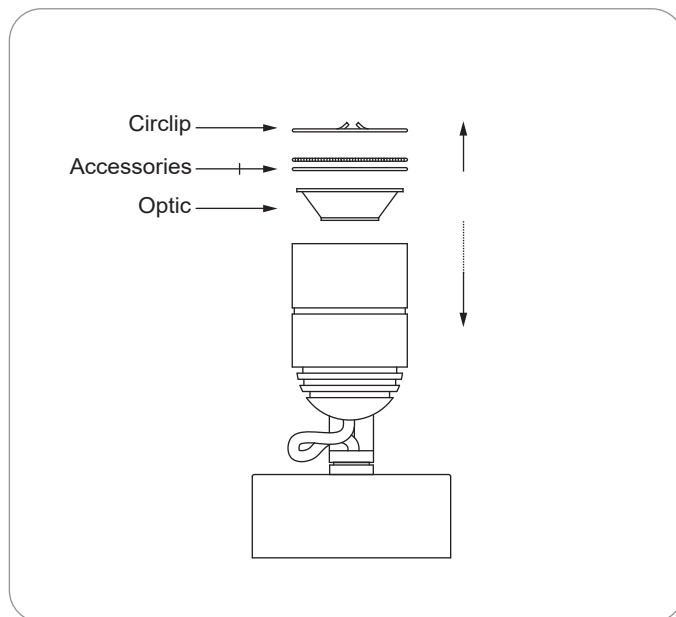
The fitting uses a Xicato XIM LED module. The colour temperature and lumen output can be found on the product label on the fitting.

To add/remove accessories:

Isolate the fitting from the supply and allow to cool.

Step 1 To remove optic and accessories remove circlip.

Step 2 Replace optic/accessories as required and replace circlip to secure.

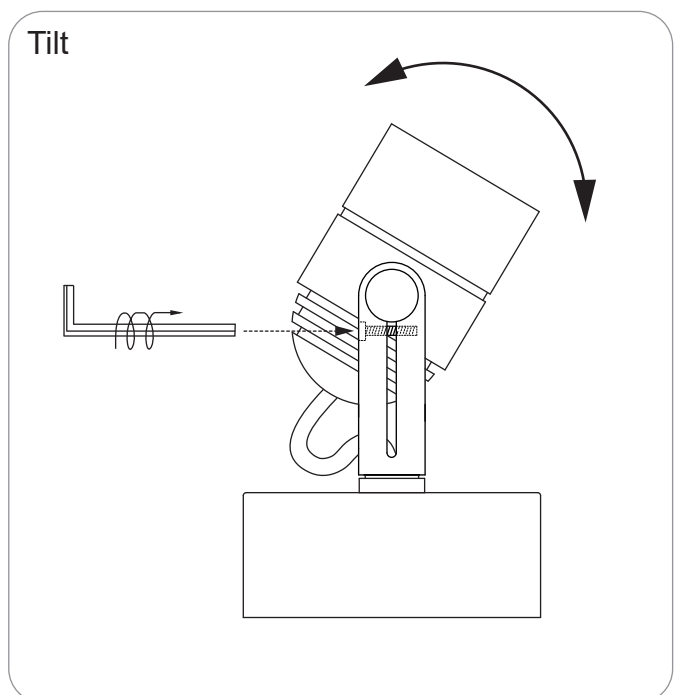
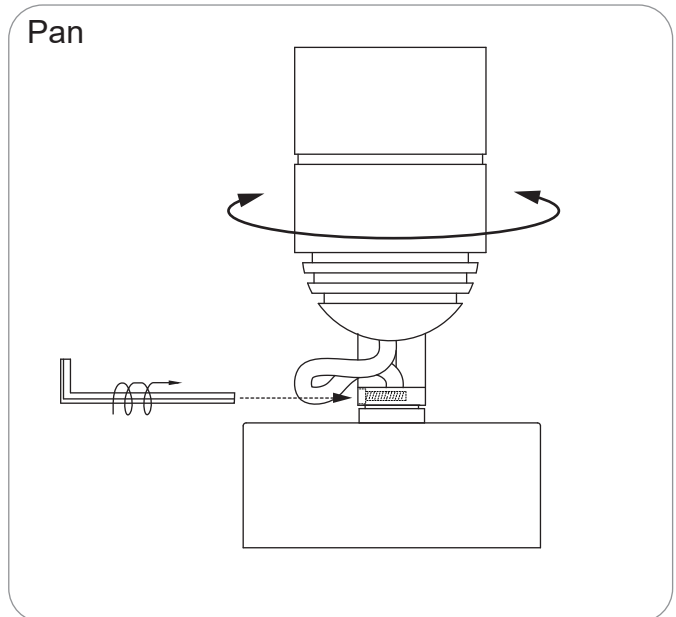


ADJUSTMENT

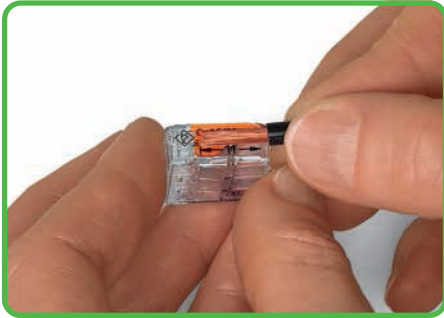
To adjust the tilt and pan of the fitting use the supplied 2.5mm Allen key to loosen off the tilt and pan lock screws.

Once the desired angle is achieved lock off the screws.

DO NOT over tighten the screws as this could damage the lock and cause it to no longer function.



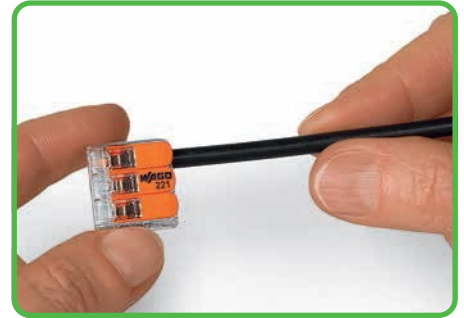
COMPACT Splicing Connectors for All Conductor Types 221 Series – Description and Handling –



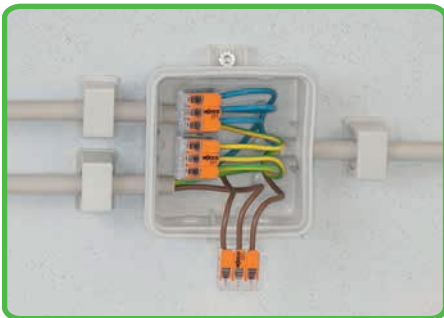
Strip wire to 11 mm / 0.43 in.



Termination: Open clamping unit using the lever and insert conductor.



Then lower lever to close the clamp.



Wiring fine-stranded conductors in a junction box.



Individual design of low-voltage lighting systems.



Lighting distribution in ceiling canopy



Pendant light connection in suspended ceilings

CAGE CLAMP®
clamps the following
copper conductors:*

- solid
- stranded

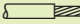
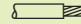
fine-stranded,
also with tinned
single strands

fine-stranded,
tip-bonded

* For aluminum conductors, see notes in Section 14.

COMPACT Splicing Connectors for All Conductor Types 221 Series

CAGE CLAMP®

0.2 - 4 mm ² "s+st" 0.14 - 4 mm ² "f-st" 450 V/4 kV/2 ① I _N 32 A  11 mm / 0.43 in ②	AWG 24 - 12	0.2 - 4 mm ² "s+st" 0.14 - 4 mm ² "f-st" 450 V/4 kV/2 ① I _N 32 A  11 mm / 0.43 in ②	AWG 24 - 12
---	-------------	---	-------------



- ① in grounded power lines
450 V = rated voltage
4 kV = rated surge voltage
2 = pollution degree
(also see Section 14)

- ② Strip length, see packaging or instructions.

Item No.	Pack. Unit	Item No.	Pack. Unit
COMPACT splicing connector for all conductor types, 2-conductor connector, with operating levers, max. operating temperature 85 °C (T85), continuous operating temperature up to 105 °C		COMPACT splicing connector for all conductor types, 3-conductor connector, with operating levers, max. operating temperature 85 °C (T85), continuous operating temperature up to 105 °C	
221-412	1000 (10x100)	221-413	500 (10x50)



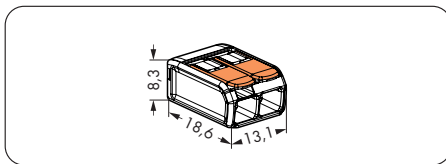
COMPACT splicing connectors
Tool-free connection of up to 5 stripped fine-stranded conductors from 0.14 to 4 mm²/AWG 24 - 12, solid or stranded conductors from 0.2 to 4 mm²/AWG 24 - 12.

This is how it works:

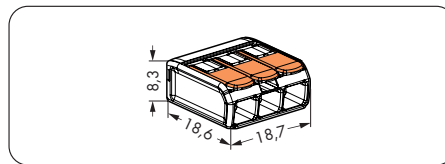
Open the clamping point using one of the orange operating levers until the lever is in vertical position. The conductor can now be inserted, then the lever can be returned to its rest position, flush with the connector housing.

The safety:

The specially designed rest position of the lever reliably prevents accidental unclamping of a connected conductor. Application safety, for any type of conductor (solid, stranded, fine-stranded), is confirmed by approvals like ENEC and UL.



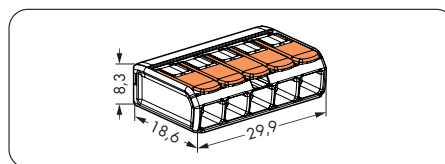
Dimensions in mm



Dimensions in mm



Item No.	Pack. Unit
COMPACT splicing connector for all conductor types, 5-conductor connector, with operating levers, max. operating temperature 85 °C (T85), continuous operating temperature up to 105 °C	
221-415	250 (10x25)



Dimensions in mm