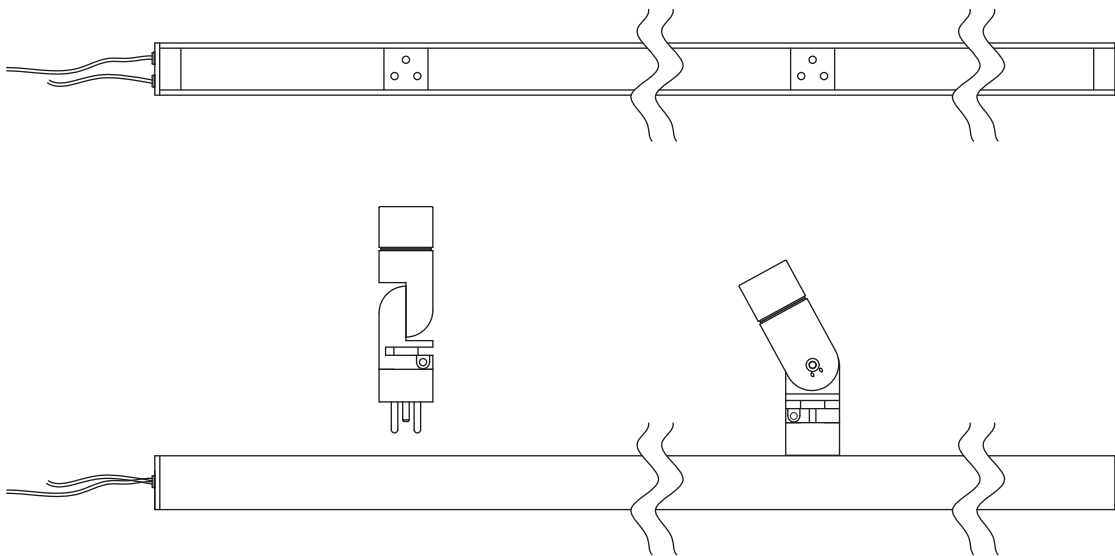




Surf S channel


Installation and maintenance instructions



IMPORTANT: All wiring connections must be made before switching on mains power.


 MSL Type S 2.85V_F 1.4W @ 500mA

 This product should not be disposed of in your general waste

 Please retain these instructions for future reference

 Class III - Extra Low Voltage

 Indoor Use Only

 European Conformity

Installation and maintenance instructions

SUPPLY

Installation must be carried out by a qualified electrician in accordance with BS 7671:2008 Wiring Regulations. 230/240V AC 50/60Hz mains supply to a suitable SELV LED Driver.

Site conditions: LED equipment is more susceptible to static damage and overvoltage than previous technology. Before handling or connecting to the mains supply ensure that all MSL products are protected from static discharge and that the mains supply is to regulation. (230V +10 -6%)

This unit requires a constant current driver. 500mA Max.

Observe polarity:
Positive (+) is marked as RED.
Incorrect supply or reverse polarity can cause irreparable damage.

All connections must be made before switching on mains. If the supply is energised prior to making the connections to the fitting then the resulting surge will damage the LED.

All lighting equipment is delicate and easily damaged through misuse or inappropriate installation (mechanical or electrical). Repairs and replacements may cause delays and will be chargeable. Contact MSL for support if required. For full warranty terms & conditions please visit our website.

The light sources contained in this luminaire shall only be replaced by the manufacturer or his service agent or a similar qualified person.

FIXING

Check that the mounting surface is suitable for the installation of this fitting.

- Step 1 Connect the mains supply to the driver. Ensure mains wires are double insulated and strain relieved.
- Step 2 Place the channel in the required position and secure using the fixing tabs supplied (fixing tabs can be rotated to suit installation). If the fitting is supplied with magnets, place on a clean magnetic surface.
- Step 3 Plug in the Surf S heads or blanking plugs until all the positions are taken.
- Step 4 Make extra low voltage connections to the fitting.
- Step 5 Adjust the heads as required with the supplied 1.5mm Allen key.

Never remove heads or blanking plugs with the unit switched on as this will cause the unit to fail.

The unit will not function if any of the sockets do not have a head or blanking plug inserted.

WARNING: Do not look at exposed LED lamps in operation. Eye injury can result.

Cleaning:

Fully isolate the fitting and allow to cool.

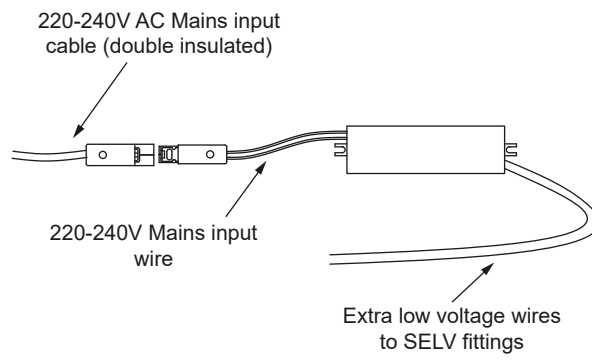
Clean the fitting with a slightly damp lint free cloth from a mild solution of soap and water. The fitting must be completely dry before reconnecting power.

Incompatible or abrasive chemicals can damage the fitting, contact MSL for advice if required.

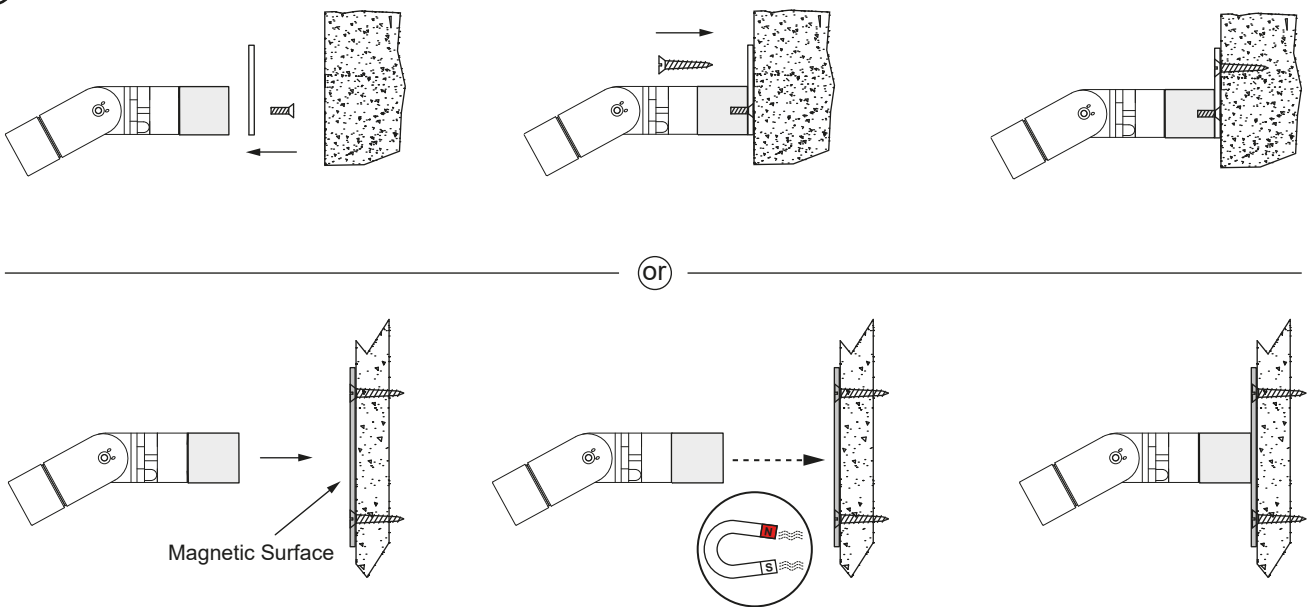
STOANE LIGHTING

EQUIPMENT DESIGN + MANUFACTURE

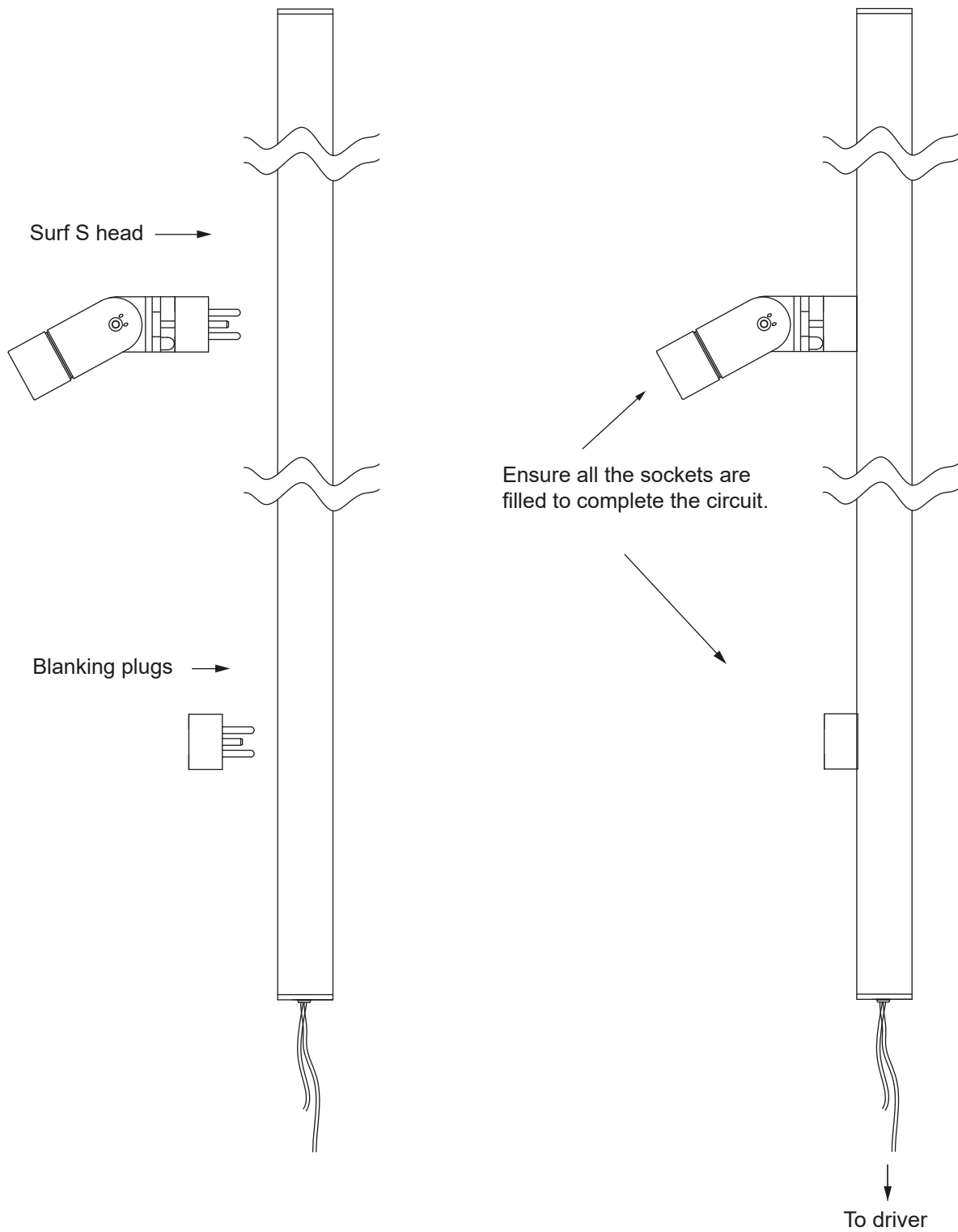
①



②

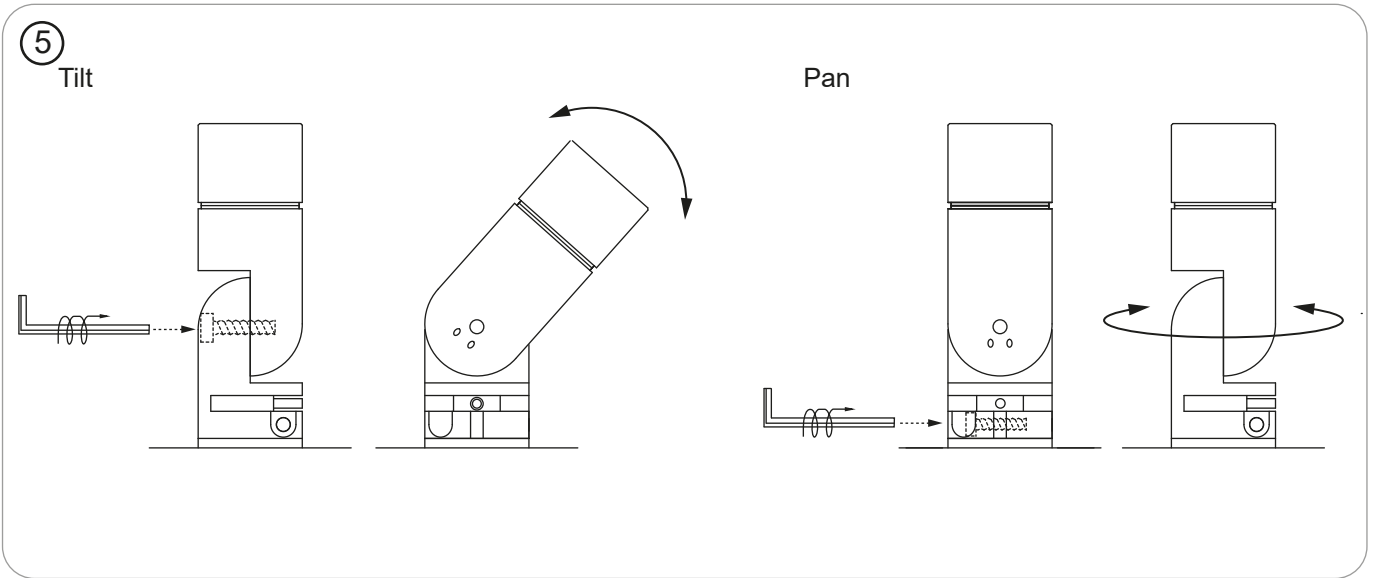
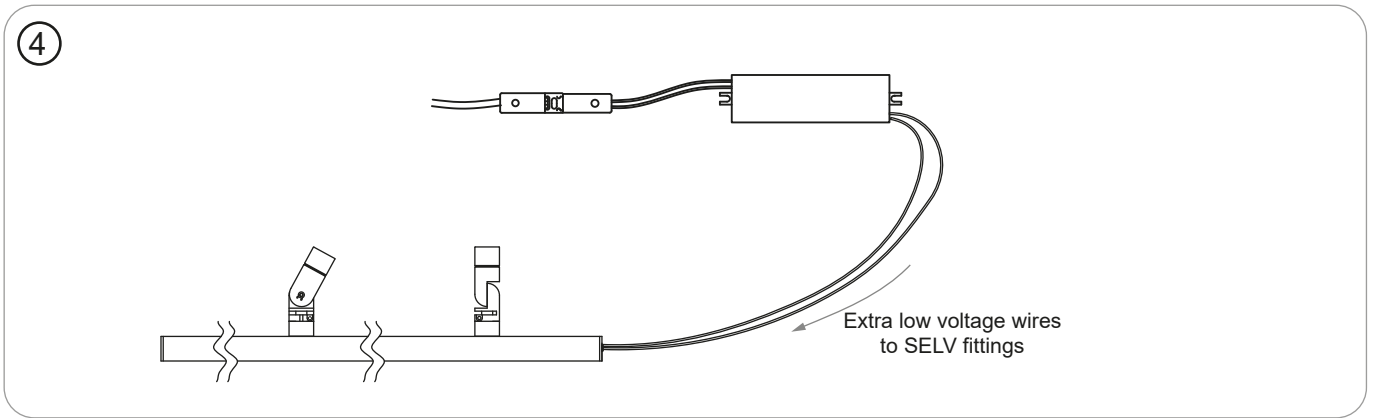


③ Turn off power before inserting or removing Surf S heads or blanking plugs.
If this is not carried out it will cause the fitting to permanently fail.



STOANE LIGHTING

EQUIPMENT DESIGN + MANUFACTURE



OPTIC CHANGE

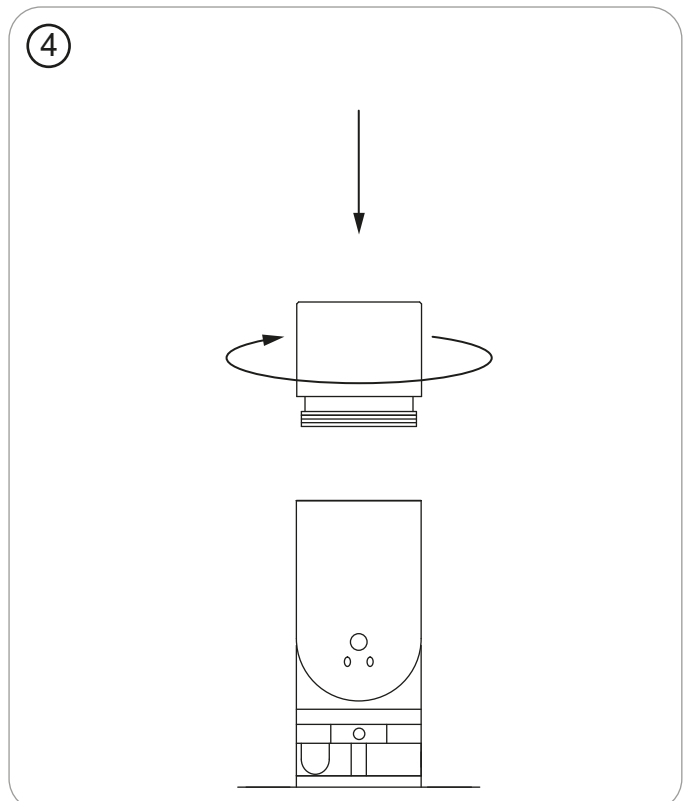
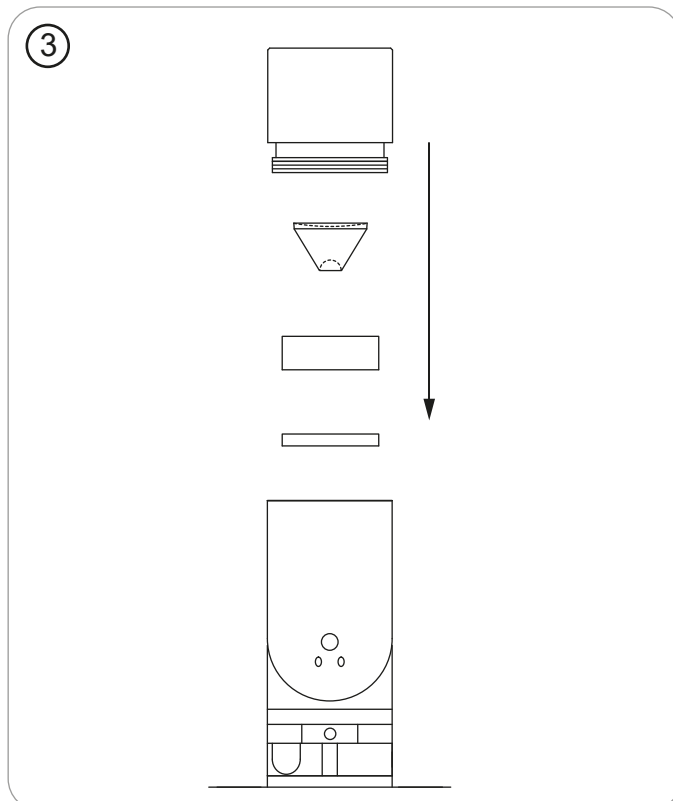
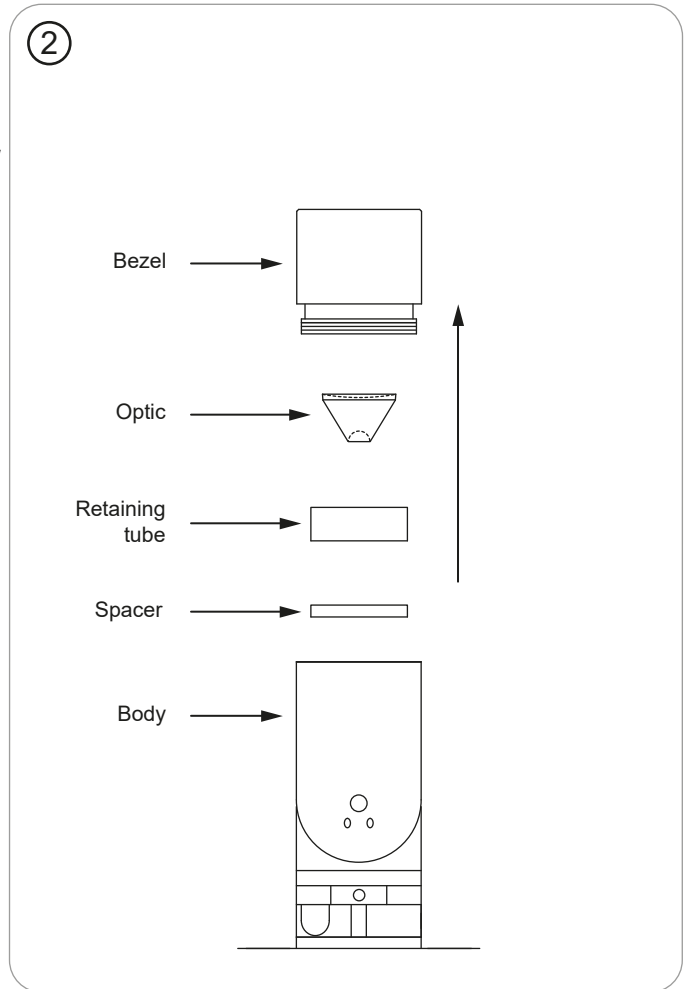
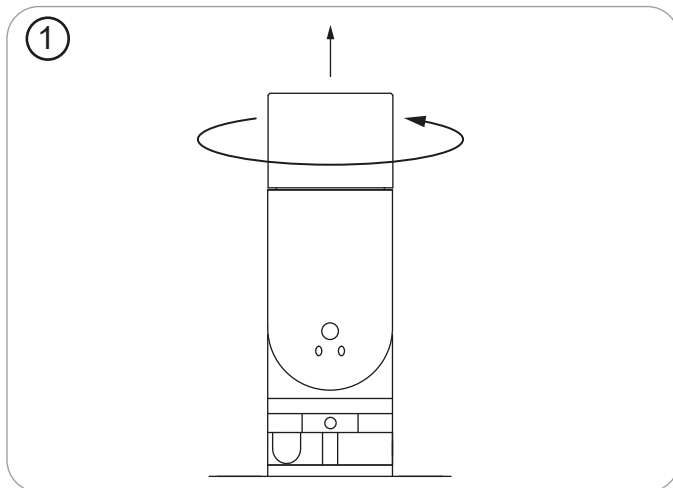
Step 1 First remove the bezel by unscrewing.

Step 2 Once unscrewed remove the optic retaining clip from the bezel with a small screw driver and allow the optic to fall out.

Step 3 Insert new optic and insert retaining clip.

Step 4 Screw the bezel back onto the body until fully tightened.

Warning - Failure to tighten fully with all appropriate components in place may result in premature failure of fitting.



Very Narrow Beam Accessory

Adding the Narrow Beam Accessory

- Step 1 First remove the standard Surf S bezel by unscrewing.
- Step 2 Remove the bezel, optic and optic retaining clip.
- Step 3 Screw the narrow beam optic holder into the body until fully tightened.
- Step 4 Add or remove the diffuser as required and screw the narrow beam bezel onto the fitting.

Note that the supplied diffuser can be used to give a cleaner beam, or can be removed to give a tighter beam.

Warning - Failure to tighten fully with all appropriate components in place may result in premature failure of fitting.

