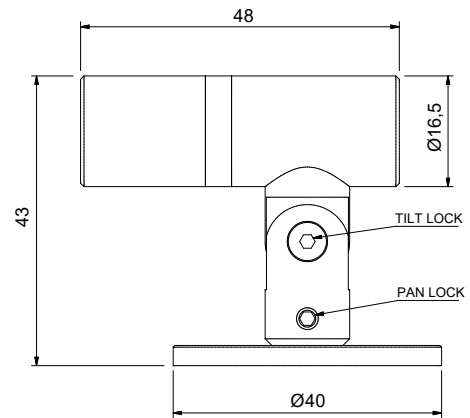


# Pipien

# STOANE LIGHTING

EQUIPMENT DESIGN + MANUFACTURE



Order Code	Pipien.col temp.beam.finish
Example	Pipien.3000K.medium.clear anodised

- Materials: Aluminium
- Light source: Type S (1 x Osram Oslon Square LED)
- IP Rating: IP66
- Finish: Anodised aluminium
- Dimming: 1-10V, DMX, DALI, Mains or Wireless
- Supply: Remote driver required  
Allow 1.4W @ 500mA
- Locking: 2mm Allen key required
- Available tilt: ±90°
- Weight: 0.09kg
- Description: Tiny adjustable lockable IP66 rated spot light for accent lighting; very discreet for enhancing landscape and architectural details whilst remaining in the shadows
- Accessories: Find photometry data on the product page on our website



Please note all output figures are based on output from bare LED strips/arrays and for indicative purposes only, output will vary when in fittings and as a function of the LED colour and running temperature

## LED Information

The Type S PCB uses 1 x Osram Oslon Square power LED thermally bonded to an aluminium PCB.

