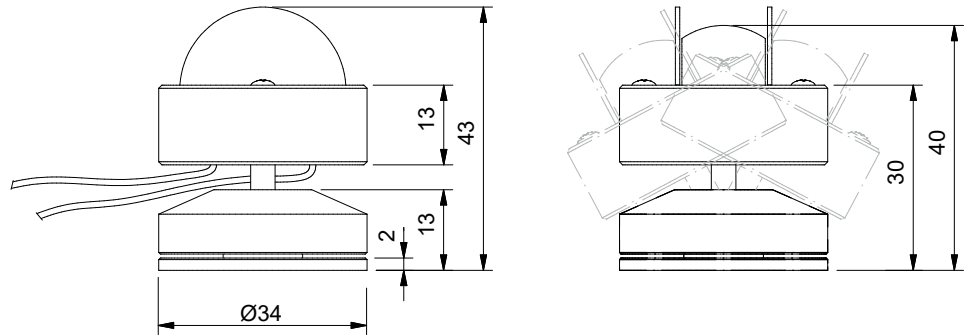


Niche

STOANE LIGHTING

EQUIPMENT DESIGN + MANUFACTURE



Order Code	Niche.col temp.finish
Example	Niche.2700K.aluminium



- Materials: Aluminium
- Lamp: MSL Star (1 x Osram Oslon Square)
- Finish: Anodised or painted any RAL colour
- Dimming: 1-10V, DMX, DALI, Mains or Wireless
- Supply: Remote driver required
Allow 2W at 700mA
- Locking: By hand using knurled base
- Available tilt: ± 26° (360° rotation)
- Weight: 0.06kg
- Description: Miniature surface mounted fitting with a 9° x 113° beam.
Curved optic designed to discreetly light archways and window reveals.