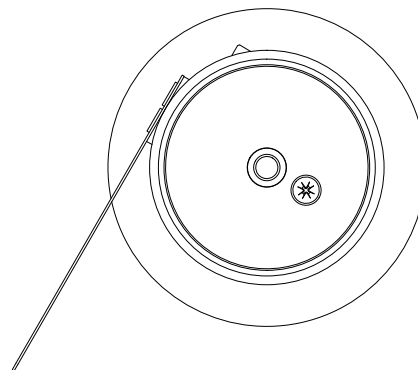


SHARK FIN FOR SECURING IN Ø33mm RECESS.  
A MINIMUM MATERIAL DEPTH OF 9mm IS REQUIRED.



MIKE STOANE LIGHTING LTD,  
20 DRYDEN RD,  
BILSTON GLEN IND. EST.  
LOANHEAD, EH20 9LZ  
TEL: 0131 440 1313, FAX 0131 440 0049  
sales@mikestoanelighting.com

**STOANE LIGHTING**  
THIS DRAWING / DESIGN IS THE PROPERTY OF MIKE STOANE LIGHTING  
AND SUBJECT TO COPYRIGHT / DESIGN RIGHTS. DISCLOSURE OR COPYING  
IS NOT PERMITTED WITHOUT PRIOR WRITTEN PERMISSION FROM MIKE  
STOANE LIGHTING. THIS COPY MUST BE RETURNED UPON DEMAND © MSL