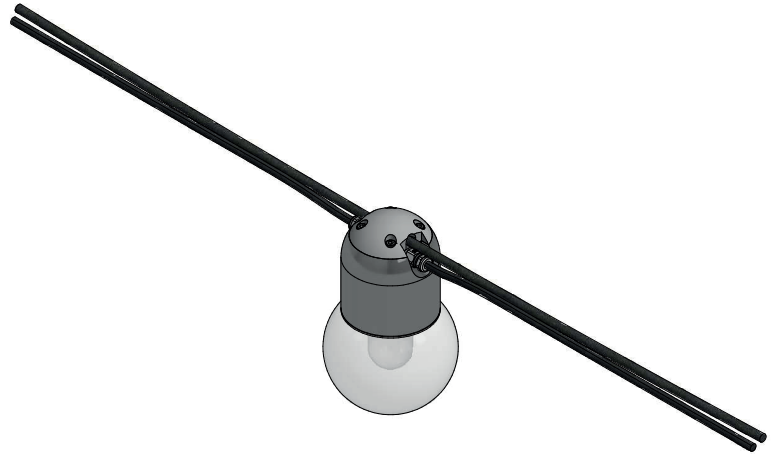
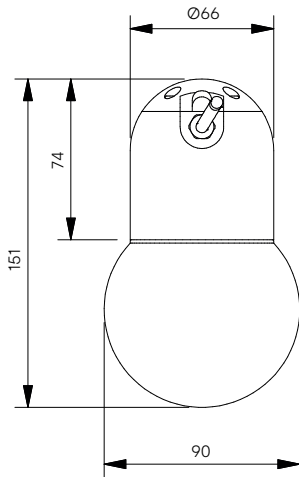


'Mini G-Cat'



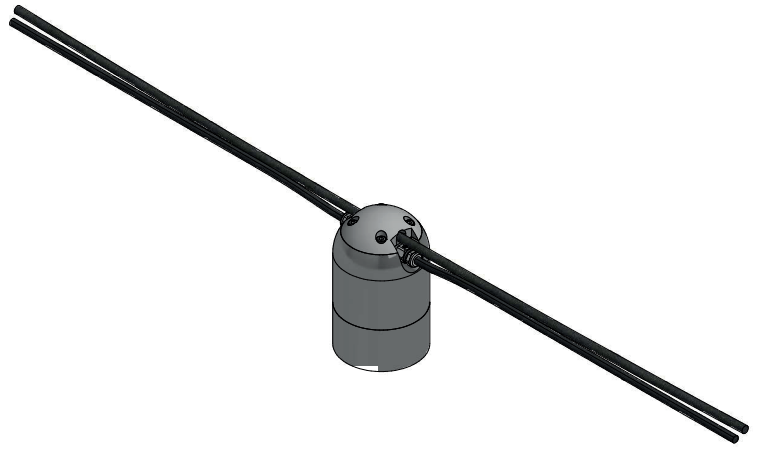
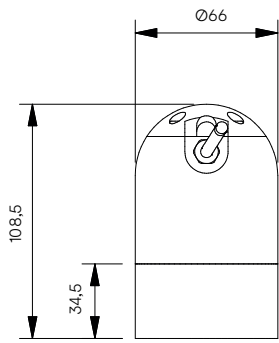
- Materials:** Aluminium, acrylic
- Light source:** Luminus CXM-6-24-90-9-AC40-F5-2
- Colour temp:** 2400K
- CRI:** 90 Ra
- Output:** 724lm initial at 700mA (6W, 8.4V)
- Dimming:** DALI, DMX, Mains or 0-10V depending on requirements
- Finish:** Metal work: Matt Black powder coat paint
Acrylic globe: polished outer, frosted inner
- Supply:** Remote constant current driver
- Weight:** 0.8kg
- Description:** Ø66mm x 75,5mm machined aluminium housing with integrated rear cap and clamp system, suitable for 5-6mm catenary cable. Ø90mm Acrylic globe with Ø35 integral bore. Includes 2x M8 Nickel plated glands for 4-Core Black Rubber NTQ cable.



STOANE LIGHTING

EQUIPMENT DESIGN + MANUFACTURE

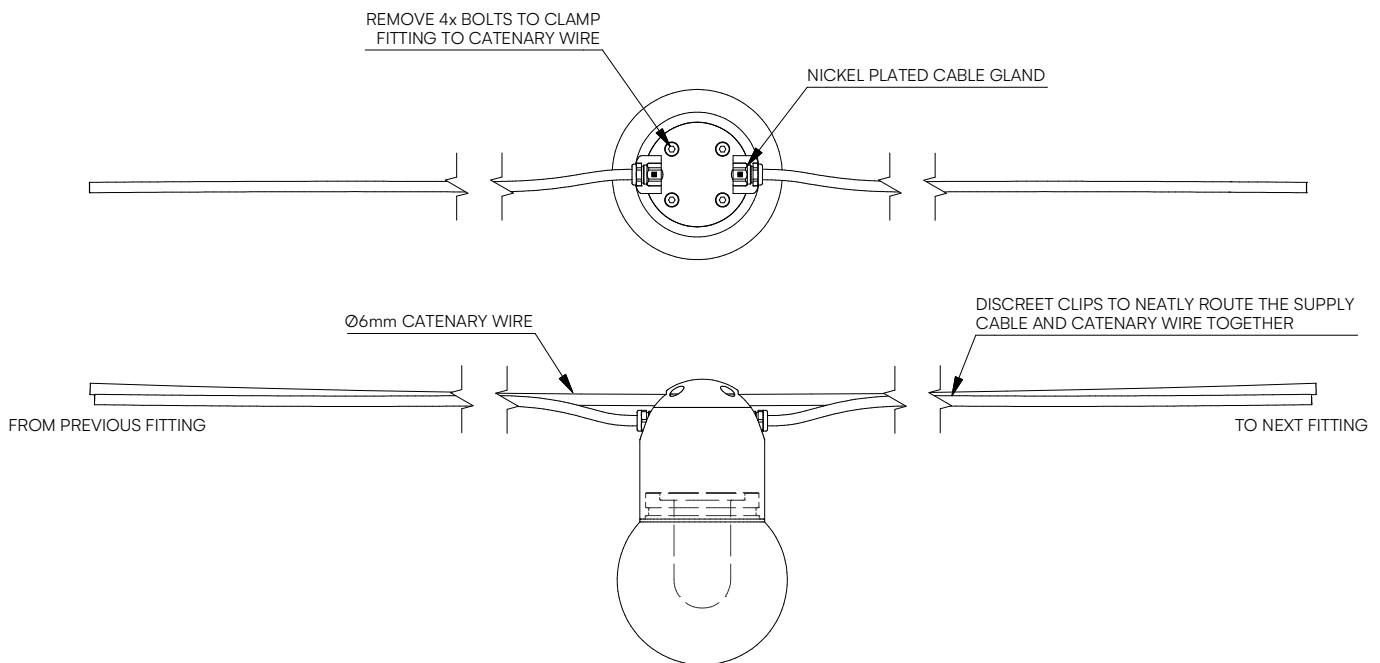
Alternative Specification



Beam: Medium

Accessories: Anti-glare honeycomb louvre

Additional Information



Project Reference



Project: Frantzen Studio, Harrods
Lighting Design: Lighting Design International
Photography: Andrew Beasley