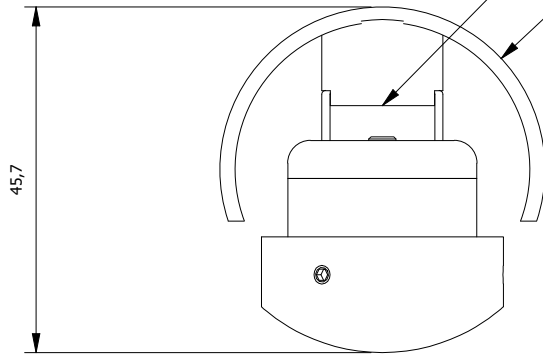


HATCHED AREA INDICATES HANDRAIL (BY OTHERS)

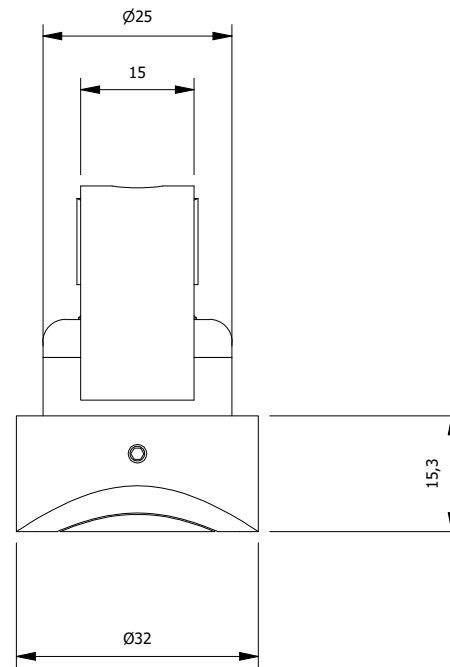
BEZEL = Ø32mm
Ø33mm CUT OUT REQUIRED

FITTING SECURED INTO HOLDER WITH
CORROSION RESISTANT MAGNETS

R21,5



45,7

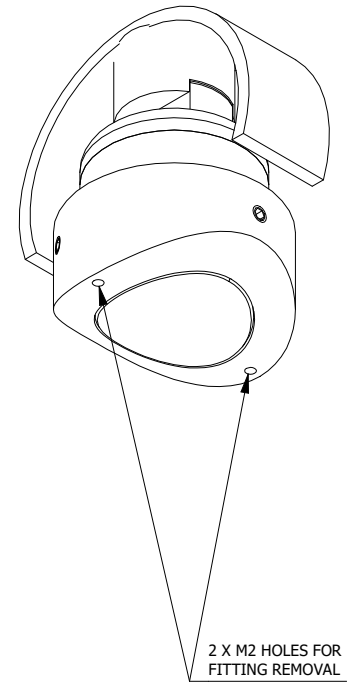


Ø25

15

Ø32

15,3



2 X M2 HOLES FOR
FITTING REMOVAL