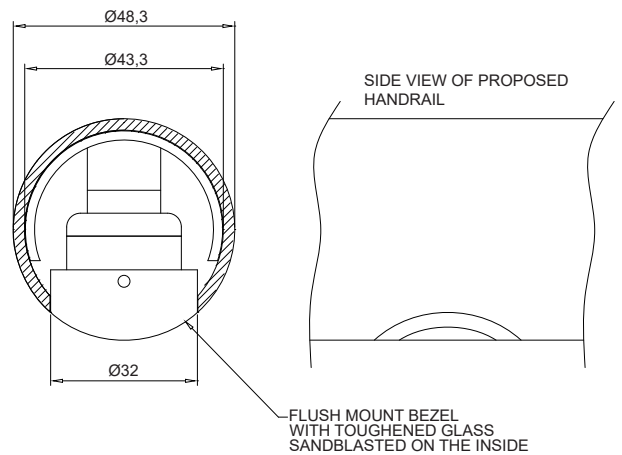
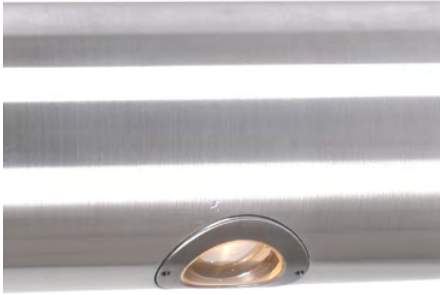


Indehandrail Module

STOANE LIGHTING

EQUIPMENT DESIGN + MANUFACTURE



| | |
|------------|-----------------------------------|
| Order Code | Indehandrail.col temp.finish |
| Example | Indehandrail.3000K.clear anodised |

- Materials: Aluminium
- Light source: MSL Star (1 x Osram Oslon Square LED)
- Finish: Anodised aluminium
- Dimming: 1-10V, DMX, DALI, Mains or Wireless
- Driver: Remote driver required
Allow 2W at 700mA
- Locking: Fixed
- Available Tilt: Fixed
- Weight: 0.2kg
- Description: IP66 rated flush mounted LED module for use in handrail systems
- Accessories: Diffused or clear glass with or without beam mask. Find photometry data on the product page on our website. No provision for optics.
- Deviations: Option for in the handrail drivers (non dimmable)



LED Information

Each LED "lamp" consists of one or more Osram Oslon Square power LED thermally bonded to an aluminium cored printed circuit board.



MSL Star

Ø21mm PCB with a single Cree XPE LED