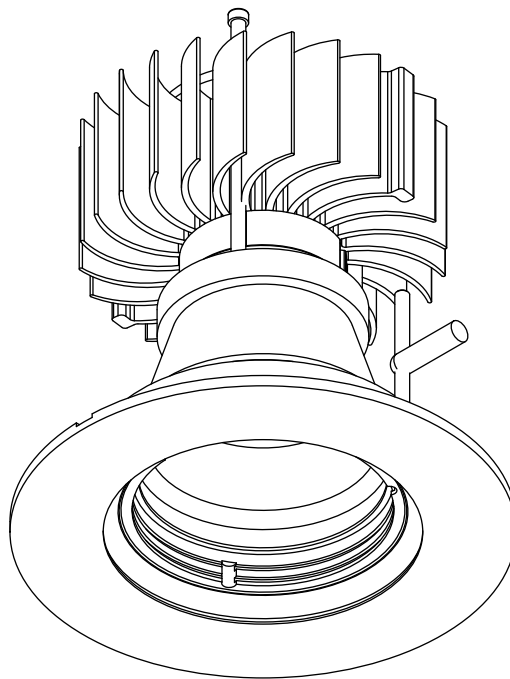




# FXD.CP.X


## Installation and Maintenance Instructions





**IMPORTANT: All wiring connections must be made before switching on mains power.**

 Xicato LED Module


 Not suitable for covering with thermally insulating material

 This product should not be disposed of in your general waste

 Please retain these instructions for future reference

 Class III - Extra Low Voltage

**IP20** Indoor Use Only

 European Conformity

## Electrical Supply

Installation must be carried out by a qualified electrician in accordance with BS 7671:2008 Wiring Regulations. 230/240V AC 50/60Hz mains supply to a suitable SELV LED Driver.

Site conditions: LED equipment is more susceptible to static damage and over voltage than previous technology. Before handling or connecting to the mains supply ensure that all MSL products are protected from static discharge and that the mains supply is to regulation. (230V +10 -6%)

This fitting is supplied with a Xicato LED module. Refer to the fitting label for the module version and wattage. More information on the module can be found at [www.xicato.com/support](http://www.xicato.com/support)

Mains cables must be double insulated, strain relieved and separated from E.L.V output cables.

**This unit requires a constant current driver. 700mA Max.**

**If using the Xicato XIM Module;  
This unit requires a 48V constant voltage driver.**

**Observe polarity:  
Positive (+) is marked as RED.  
Incorrect supply or reverse polarity can cause irreparable damage.**

**All connections must be made before switching on mains.**  
If the supply is energised prior to making the connections to the fitting then the resulting surge will damage the LED.

All lighting equipment is delicate and easily damaged through misuse or inappropriate installation (mechanical or electrical). Repairs and replacements may cause delays and will be chargeable. Contact MSL for support if required. For full warranty terms & conditions please visit our website.

The light source contained in this luminaire shall only be replaced by the manufacturer or his service agent or a similar qualified person.

The entire dimming control circuit source must be of SELV insulation class.

Caution - This product contains magnets. Magnets are dangerous if ingested, can affect pacemakers and other magnetically sensitive equipment.

Cables must be routed away from hot parts of luminaires especially out of sight in ceiling cavities.

## Installation

Check that the mounting surface is suitable for the installation of this fitting.

A 119mm diameter hole is required for mounting.

Step 1 Make mains connections to SELV LED driver and extra low voltage connections to the fitting.

Step 2 Insert the fitting into the cut-out.

Step 3 Tightening the 2 CSK fixings will swing the ceiling tabs out and secure the fitting in place.

Once fitting is in place, fit the cover plate as per instructions.

Ensure that the installation of this fitting does not compromise any fire barrier offered by your ceiling. Intumescent downlighter fire hoods should be used to maintain the integrity of the barrier in the event of a fire.

Do not cover the luminaire with insulation. Heat sinks and fan assisted lamps must be kept free from dust and well ventilated to ensure long term reliability and light quality.

**WARNING: Do not look at exposed LED lamps in operation. Eye injury can result.**

## Cleaning:

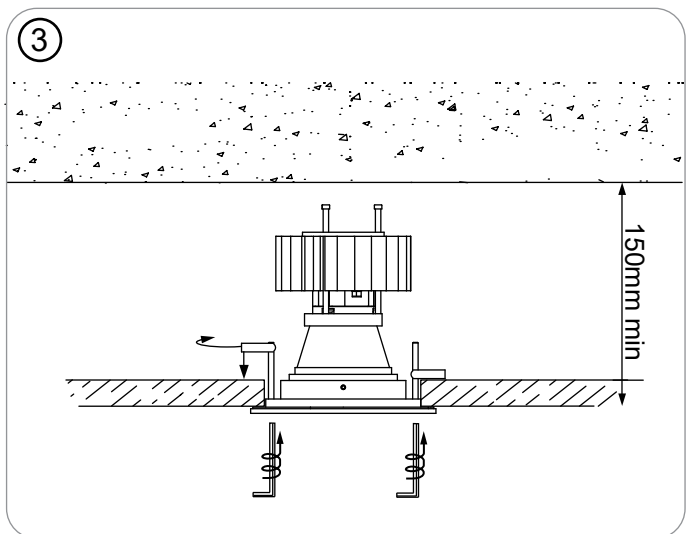
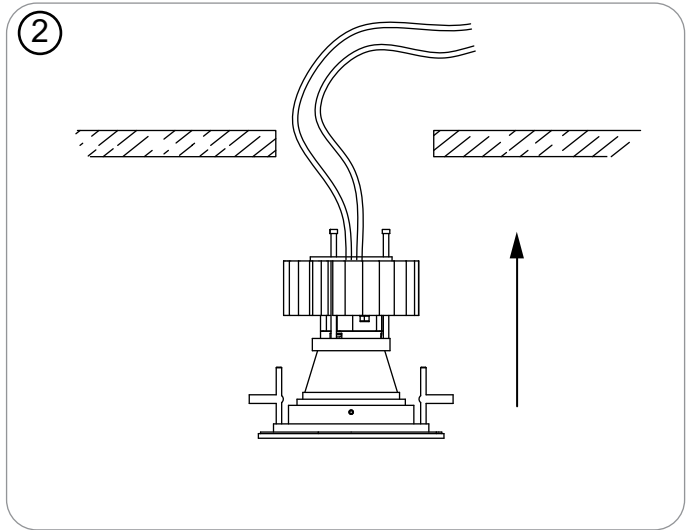
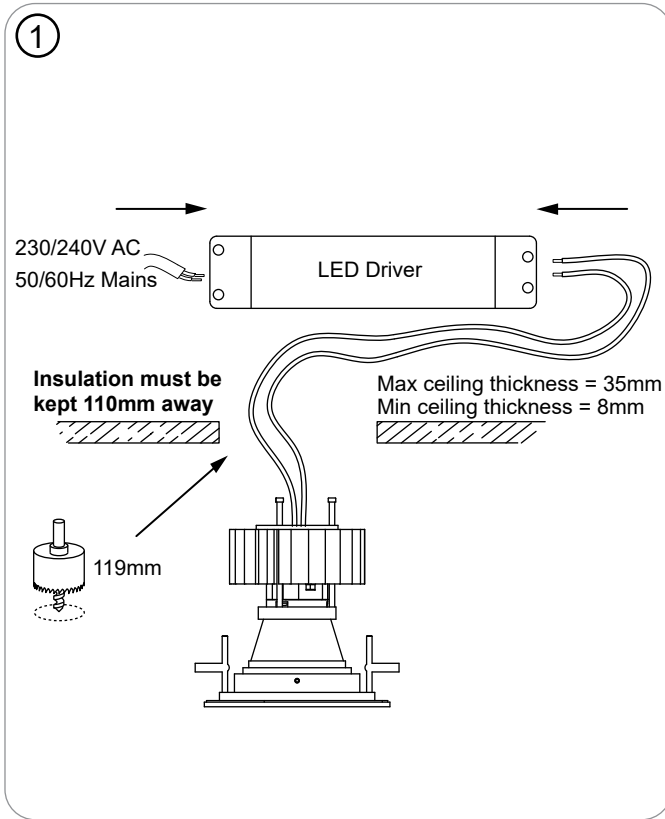
Fully isolate the fitting and allow to cool.

Clean the fitting with a slightly damp lint free cloth from a mild solution of soap and water. The fitting must be completely dry before reconnecting power.

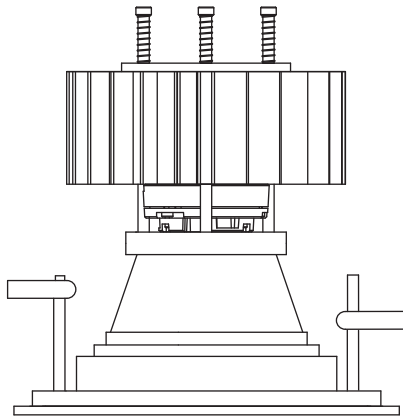
Incompatible or abrasive chemicals can damage the fitting, contact MSL for advice if required.

# STOANE LIGHTING

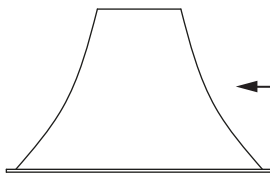
EQUIPMENT DESIGN + MANUFACTURE



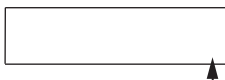
**LENS FITTING/REPLACEMENT**



Engage retaining ring tool into slots on ring and turn to remove or tighten.

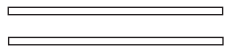


Reflector

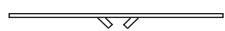


Reflector retaining ring

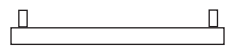
Circlip grooves are provided to retain accessories



Space for 2 accessories



Circlip



Reflector retaining ring tool (see image)

**To Fit the Cover Plate**

Centrally locate the cover plate onto the bezel aligning the slot with the flats on the ADL bezel.  
Rotate 90° clockwise to secure.

**To Remove the Cover Plate**

Rotate 90°  
Use a screwdriver or similar in the slot to prise off the plate (Use caution, do not damage the paint)

