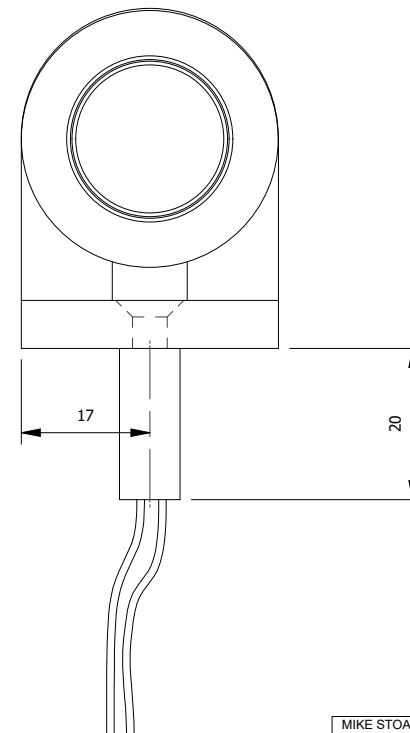


$\text{Ø}4,6 \checkmark \text{Ø}9 \times 90^\circ$



MIKE STOANE LIGHTING LTD.  
20 DRYDEN RD.  
BILSTON GLEN IND. EST.  
LOANHEAD, EH20 9LZ  
TEL: 0131 440 1313, FAX 0131 440 0049  
sales@mikestoanelighting.com

**STOANE LIGHTING**  
THIS DRAWING / DESIGN IS THE PROPERTY OF MIKE STOANE LIGHTING  
AND SUBJECT TO COPYRIGHT / DESIGN RIGHTS. DISCLOSURE OR COPYING  
IS NOT PERMITTED WITHOUT PRIOR WRITTEN PERMISSION FROM MIKE  
STOANE LIGHTING. THIS COPY MUST BE RETURNED UPON DEMAND © MSL