

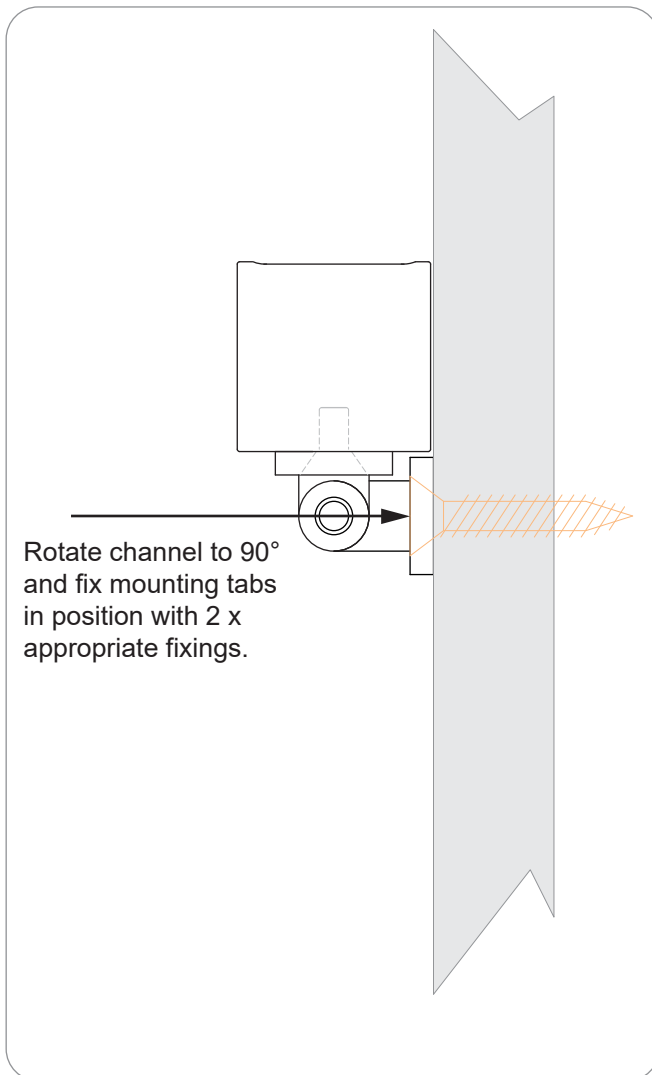
MOUNTING HINGE INSTALLATION

Check that the mounting surface is flat and suitable for the installation of this fitting.

Step 1 Attach LED Channel using mounting hinges. Hinges should be spaced evenly along the channel using two per meter.

Step 2 Connect mains supply to the PSU, connect dimmer (If required) and make E.L.V connections to the fitting.

All connections made must be waterproof and use connectors suitable for the environment .



MOUNTING HINGE ADJUSTMENT

The mounting hinge can be repositioned by removing the M3.5 screws from the back of the LED channel. Position channel as required and retighten fixings into slot.

Adjust rotation of hinge as required and tighten M3 fixing with a 2.5mm Allen key to lock in position.

