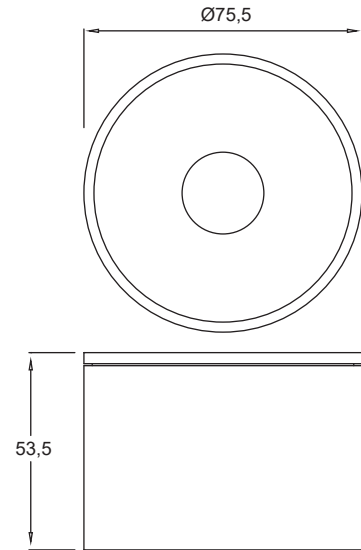


# BPX

# STOANE LIGHTING

EQUIPMENT DESIGN + MANUFACTURE



Order Code	BPX.module.accessory.finish
Example	BPX.XIM 3000K,700lm.bulb.RAL9010

- Materials: Aluminium
- Light source: Xicato XTM or XIM 9mm LES or 19mm LES LED Module
- Output: Find compatible modules and photometry data on the product page on our website
- CRI Ra:  $\geq 80$  or  $\geq 95$  Artist
- Finish: Anodised or painted to any RAL colour
- Dimming: XTM 1-10V, DMX, DALI, Mains or Wireless  
XIM 1-10V, DALI or Wireless
- Supply: XTM Constant current remote driver  
XIM 48V DC
- Weight: Variable
- Description: Modular system with various accessories/deviations available based on a core puck. Options shown below.



Xicato Thermal Validation Programme Approved

## LED Information

This product uses the Xicato Module

Technical advantages of the Xicato Module:

- Colour consistency Initial; 1 x 2 SDCM
- Colour consistency Maintained; 3 SDCM
- Excellent colour rendering
- Uniform beam
- No multiple shadowing

For more information about the modules available please ask [sales@mikestoanelighting.com](mailto:sales@mikestoanelighting.com) for a current technical data sheet or visit [www.xicato.com](http://www.xicato.com)

