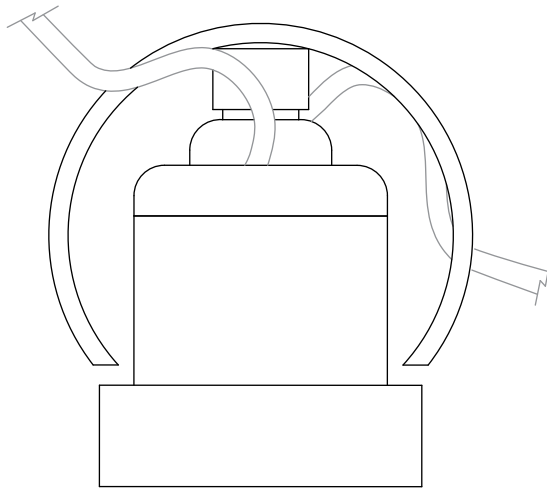


Bell Module

Installation and Maintenance Instructions



IMPORTANT: All wiring connections must be made before switching on mains power.



MSL Star Oslon Square 2.9V_F 2W @ 700mA



This product should not be disposed of in your general waste



Please retain these instructions for future reference



Class III - Extra Low Voltage

IP66 Dust tight and protected against powerful jets of water

CE European Conformity

Electrical Supply

Installation must be carried out by a qualified electrician in accordance with BS 7671:2008 Wiring Regulations. 230/240V AC 50/60Hz mains supply to a suitable SELV LED Driver.

Site conditions: LED equipment is more susceptible to static damage and overvoltage than previous technology. Before handling or connecting to the mains supply ensure that all MSL products are protected from static discharge and that the mains supply is to regulation. (230V +10 -6%)

Mains cables must be double insulated, strain relieved and separated from E.L.V output cables.

This unit requires a constant current driver. 700mA Max.

Observe polarity:

Positive (+) is marked as RED.

Incorrect supply or reverse polarity can cause irreparable damage.

All connections must be made before switching on mains.

If the supply is energised prior to making the connections to the fitting then the resulting surge will damage the LED.

Multiple LEDs should be wired in series, refer to driver instructions for minimum/maximum load.

All lighting equipment is delicate and easily damaged through misuse or inappropriate installation (mechanical or electrical). Repairs and replacements may cause delays and will be chargeable. Contact MSL for support if required. For full warranty terms & conditions please visit our website.

The IP rating stated is applicable only when the fitting has been installed as per these instructions.

The light source contained in this luminaire shall only be replaced by the manufacturer or his service agent or a similar qualified person.

The entire dimming control circuit source must be of SELV insulation class.

Ensure supply driver and connectors are housed indoors OR in a suitably IP rated enclosure.

Installation

Check that the mounting surface is suitable for the installation of this fitting. The inside diameter of the handrail tube should be approximately 42mm.

A 32.5mm diameter hole is required for mounting.

Step 1 Insert the retaining clip into the cut-out by rotating it into position. The clip may need to be adjusted to suit the diameter of the handrail. Open or close the clip to ensure a snug fit.

Step 2 Make mains connections to SELV LED driver and extra low voltage connections to the fitting through the cut-out.

Step 3 Fit module into handrail, the magnets will hold the fitting in place.

After opening the sealed portion of the luminaire for any reason, MSL recommends running the fitting for 15 minutes with the lid open to expel moisture before closing it up. This will prevent condensation on the lens and protect the fitting from corrosion.

Ensure the O-ring sits neatly, is not twisted, stretched or deformed in any way and sits neatly in its groove. It must be free from debris of any kind. If needed, remove the O-ring, clean it and the groove and replace with fresh grease (loctite superlube synthetic grease recommended). Failure to do so may result in water ingress and premature failure of the luminaire

WARNING: Do not look at exposed LED lamps in operation. Eye injury can result.

Cleaning:

Fully isolate the fitting and allow to cool.

Clean the fitting with a slightly damp lint free cloth from a mild solution of soap and water. The fitting must be completely dry before reconnecting power.

Incompatible or abrasive chemicals can damage the fitting, contact MSL for advice if required.

