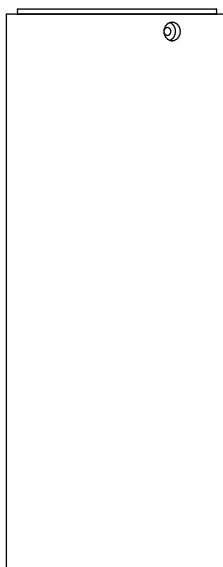


Baldican Type X Integral


Installation and Maintenance Instructions



IMPORTANT: All wiring connections must be made before switching on mains power.

 Xicato LED Module

 Class I - Fitting must be Earthed

 This product should not be disposed of in your general waste

IP20 Indoor Use Only

 Please retain these instructions for future reference

 European Conformity

Mike Stoane Lighting Ltd
20 Dryden Road Bilston Glen Ind Est.
Loanhead Midlothian EH20 9LZ UK

T: +44 (0) 131 440 1313
F: +44 (0) 131 440 0049
sales@mikestoanelighting.com

www.mikestoanelighting.com
VAT No GB682885284
Limited Company 188910

Electrical Supply

Installation must be carried out by a qualified electrician in accordance with BS 7671:2008 Wiring Regulations. 230/240V AC 50/60Hz mains supply.

Site conditions: LED equipment is more susceptible to static damage and overvoltage than previous technology. Before handling or connecting to the mains supply ensure that all MSL products are protected from static discharge and that the mains supply is to regulation. (230V +10 -6%)

This fitting is supplied with a Xicato LED module. Refer to the fitting label for the module version and wattage. More information on the module can be found at www.xicato.com/support

Mains cables must be double insulated, strain relieved and separated from E.L.V output cables.

This unit contains a constant current driver set at 700mA Max.

Observe polarity:
Positive (+) is marked as RED.
Incorrect supply or reverse polarity can cause irreparable damage.

All connections must be made before switching on mains.
If the supply is energised prior to making the connections to the fitting then the resulting surge will damage the LED.

All lighting equipment is delicate and easily damaged through misuse or inappropriate installation (mechanical or electrical). Repairs and replacements may cause delays and will be chargeable. Contact MSL for support if required. For full warranty terms & conditions please visit our website.

The light source contained in this luminaire shall only be replaced by the manufacturer or his service agent or a similar qualified person.

Dimming control circuit source must be of SELV insulation class.

Dim (+) purple
Dim (-) grey

Installation

Check that the mounting surface is suitable for the installation of this fitting. **Fitting Weight : 1.25kg.**

A 30mm diameter hole is required for mounting.

- Step 1 Remove the three screws from the top of the can to release the first fix mount disc. Note that these screws have captive star washers, these are relied upon to ensure class 1 status.
- Step 2 Fit first fix mount plate to ceiling with suitable fixings (pitch 51mm).
- Step 3 Make mains, earth and 1-10V (if required) connections to fitting as shown.
- Step 4 Reattach can body to first fix mount disc using the screws used in step 1, ensure these are tight.

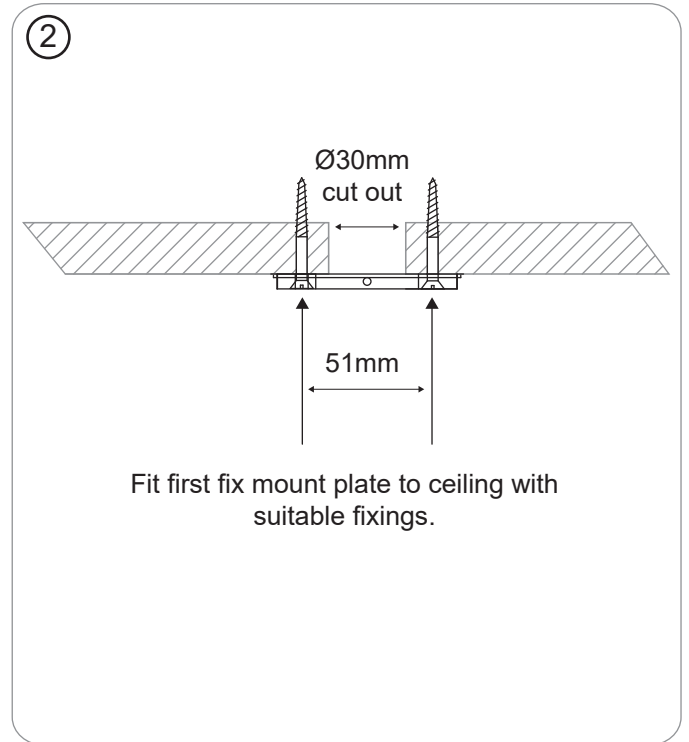
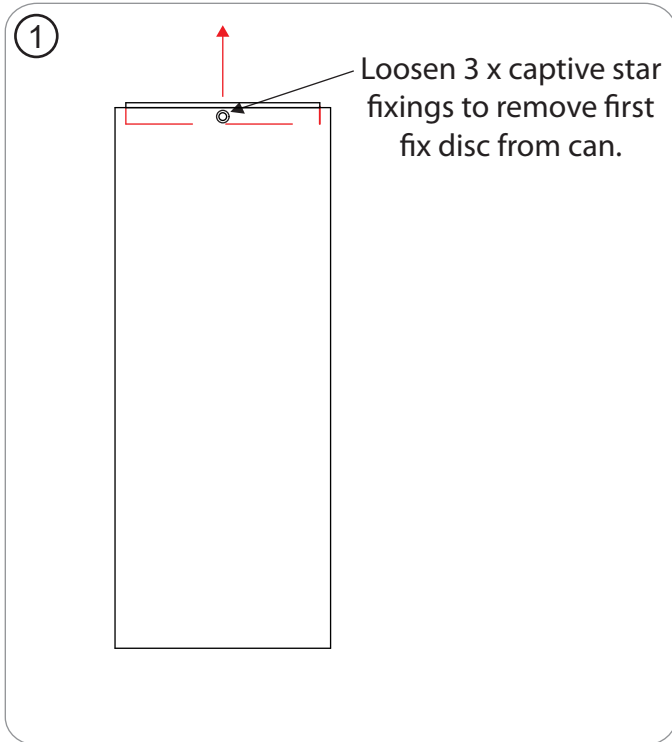
WARNING: Do not look at exposed LED lamps in operation. Eye injury can result.

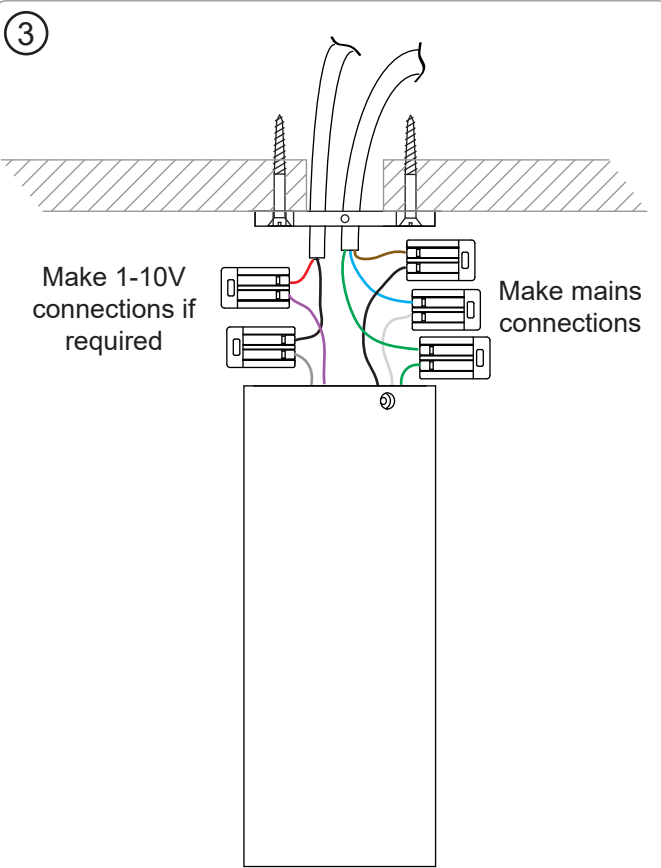
Cleaning:

Fully isolate the fitting and allow to cool.

Clean the fitting with a slightly damp lint free cloth from a mild solution of soap and water. The fitting must be completely dry before reconnecting power.

Incompatible or abrasive chemicals can damage the fitting, contact MSL for advice if required.

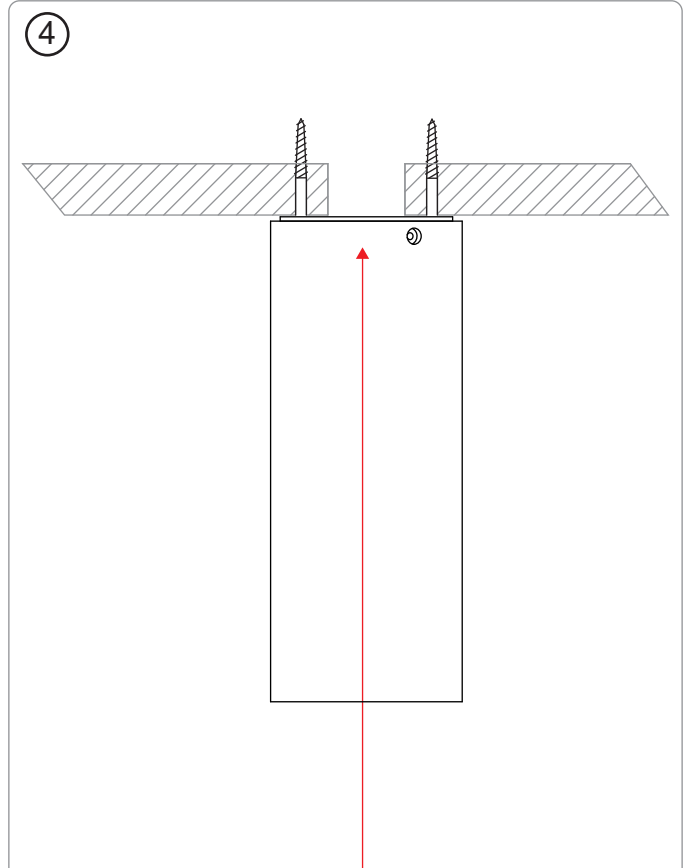




Once connections are made, fit connectors back into position inside the can.

3 way connectors may be supplied if requested to enable supply loop in/loop out.

Note mains connections from driver;
Black = Live
White = Neutral



Fit can into position and retighten the 3 x fixings removed in step 1.

MODULE AND ACCESSORIES

The fitting uses a Xicato LED module. The colour temperature and lumen output can be found on the product label on the fitting.

To add/remove accessories:

Isolate the fitting from the supply and allow to cool.

Step 1 To replace accessories remove circlip and load accessories. Reattach circlip to secure.

Step 2 To replace reflector unscrew bezel in an anti clockwise direction with the supplied tool.

Step 3 Remove old reflector and fit new reflector. Refit the bezel by screwing on in a clockwise direction.

