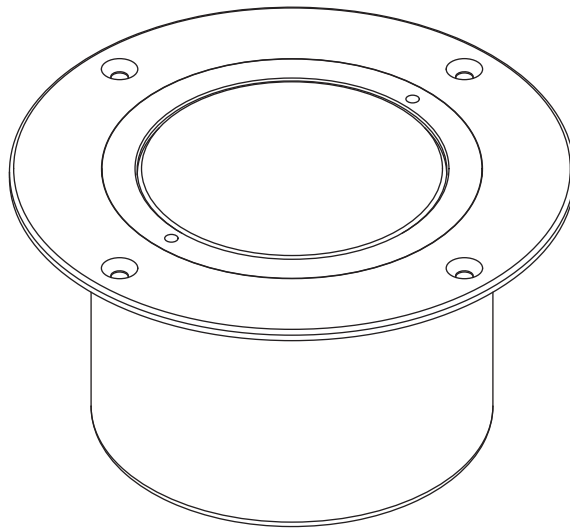


STOANE LIGHTING

EQUIPMENT DESIGN + MANUFACTURE

Badger M

Installation and Maintenance Instructions



IMPORTANT: All wiring connections must be made before switching on mains power.



MSL Type M 8.7V_F 6W @ 700mA



This product should not be disposed of in your general waste



Please retain these instructions for future reference



Class III - Extra Low Voltage

IP66 Dust tight and protected against powerful jets of water.



European Conformity

Mike Stoane Lighting Ltd
20 Dryden Road Bilston Glen Ind Est.
Loanhead Midlothian EH20 9LZ UK

T: +44 (0) 131 440 1313
F: +44 (0) 131 440 0049
sales@mikestoanelighting.com

www.mikestoanelighting.com
VAT No GB682885284
Limited Company 188910

Electrical Supply

Installation must be carried out by a qualified electrician in accordance with BS 7671:2008 Wiring Regulations. 230/240V AC 50/60Hz mains supply to a suitable SELV LED Driver.

Ground recessed luminaire suitable for use in Zone 2 applications as defined by BS EN 60598-2-13 table A1. Suitable for use in restricted accessible areas (e.g. pedestrians and pedal cycles only).

Site conditions: LED equipment is more susceptible to static damage and over voltage than previous technology. Before handling or connecting to the mains supply ensure that all MSL products are protected from static discharge and that the mains supply is to regulation. (230V +10 -6%)

Mains cables must be double insulated, strain relieved and separated from E.L.V output cables.

This unit requires a constant current driver. 700mA Max.

Observe polarity:
Positive (+) is marked as RED.
Incorrect supply or reverse polarity can cause irreparable damage.

All connections must be made before switching on mains. If the supply is energised prior to making the connections to the fitting then the resulting surge will damage the LED.

All lighting equipment is delicate and easily damaged through misuse or inappropriate installation (mechanical or electrical). Repairs and replacements may cause delays and will be chargeable. Contact MSL for support if required. For full warranty terms & conditions please visit our website.

The IP rating stated is applicable only when the fitting has been installed as per these instructions.

The light source contained in this luminaire shall only be replaced by the manufacturer or his service agent or a similar qualified person.

The entire dimming control circuit source must be of SELV insulation class.

Max exposed surface temperature 37°C at 25°C ambient

Installation

Check that the mounting surface is suitable for the installation of this fitting. Max static load 5kN.

A 118mm diameter hole is required for mounting.

- Step 1 Remove the fitting from the install sleeve by removing four M4 fixings in the front of the fitting. Secure the installation sleeve so that it is flush with the pre cut hole and fill in any gap's (Well drained ground is required.)
- Step 2 Make mains connections to SELV LED driver and extra low voltage connections to the fitting.
- Step 3 Push the fitting fully home into the mounting hole. Secure to the installation sleeve using the supplied screws.
- Step 4 Use the supplied gloves to fit the magnetic coverplate onto the fitting. Rotate clockwise until it clicks into position.

Ensure supply driver and connectors are housed indoors OR in a suitably IP rated enclosure. Cable ends must be suitably waterproofed. Inspect supply cables before installation to ensure there is no damage which will allow water to enter the fitting.

After opening the sealed portion of the luminaire for any reason, MSL recommends running the fitting for 15 minutes with the lid open to expel moisture before closing it up. This will prevent condensation on the lens and protect the fitting from corrosion.

Care must be taken when handling any ingress protection seals, glands or "O" rings to ensure they are kept clean, unblemished and replaced exactly in their required location and suitably fastened home.

WARNING: Do not look at exposed LED lamps in operation. Eye injury can result.

Cleaning:

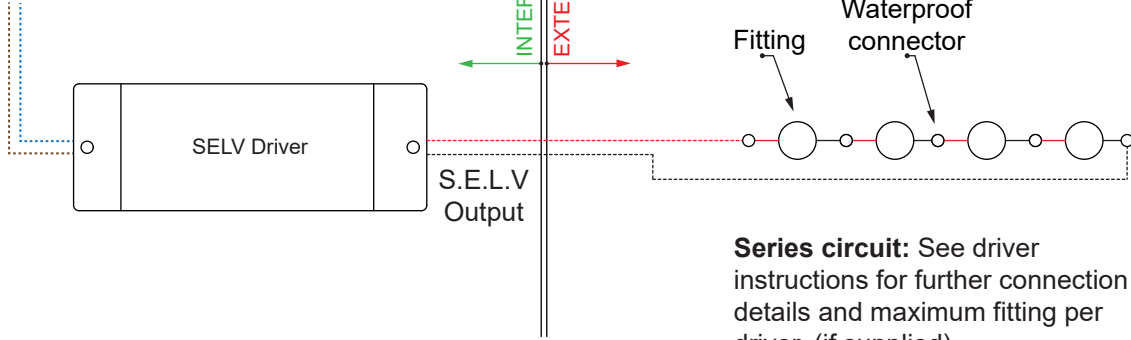
Fully isolate the fitting and allow to cool.

Clean the fitting with a slightly damp lint free cloth from a mild solution of soap and water. The fitting must be completely dry before reconnecting power.

Incompatible or abrasive chemicals can damage the fitting, contact MSL for advice if required.

Wiring diagram

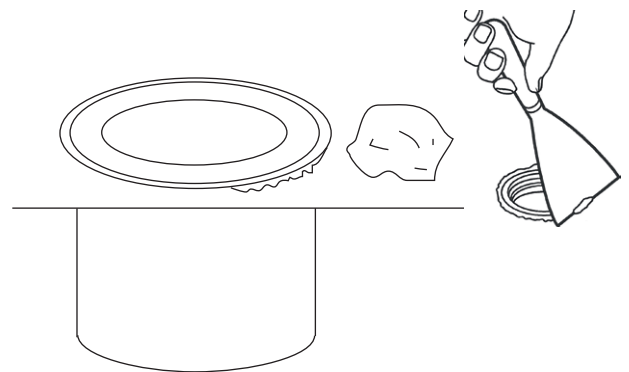
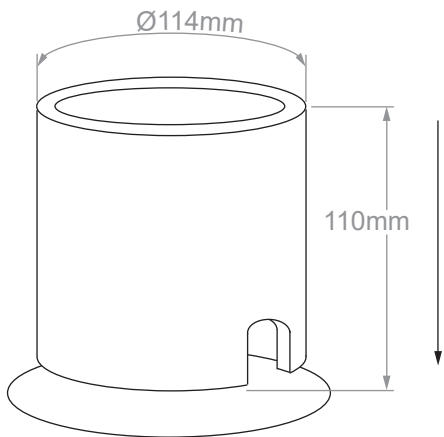
230/240V Mains



Series circuit: See driver instructions for further connection details and maximum fitting per driver. (if supplied)

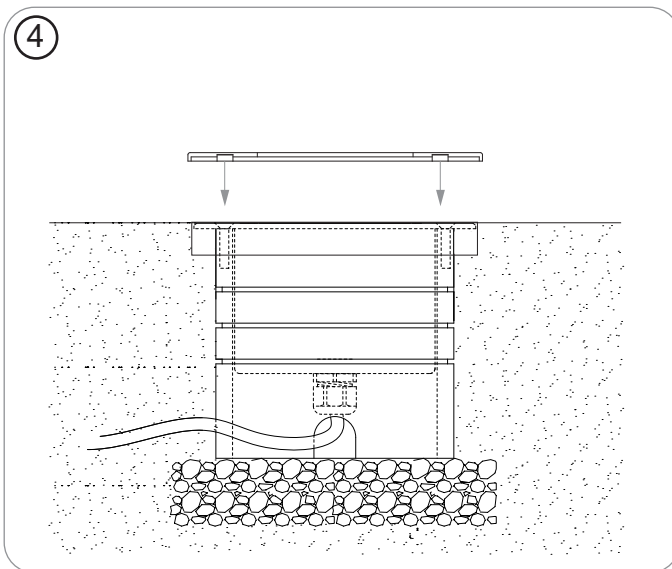
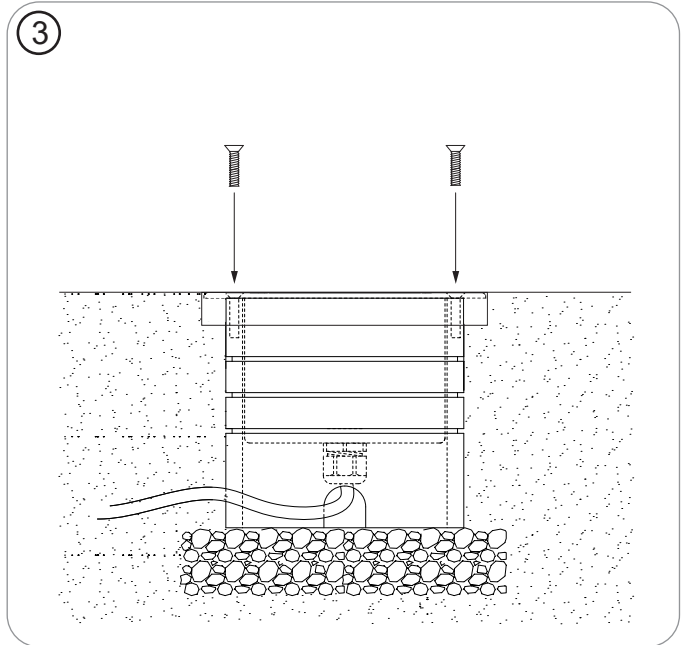
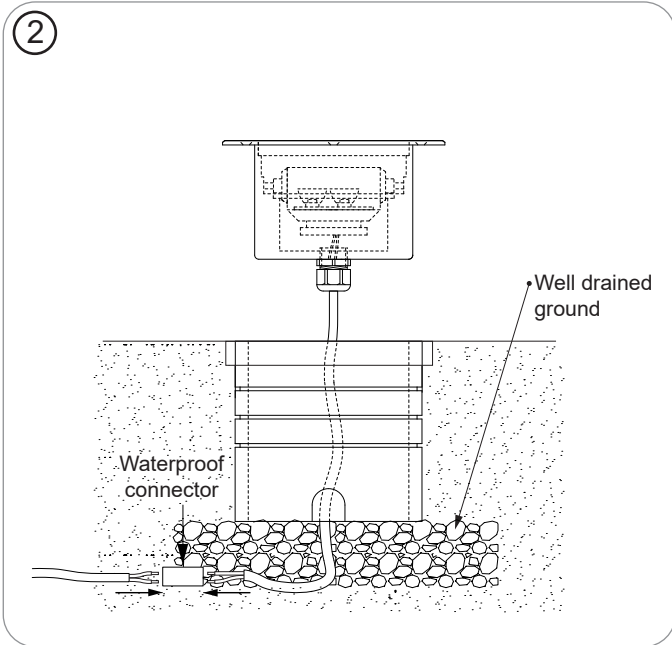
+ Wiring by others
- Wiring by others

①



STOANE LIGHTING

EQUIPMENT DESIGN + MANUFACTURE



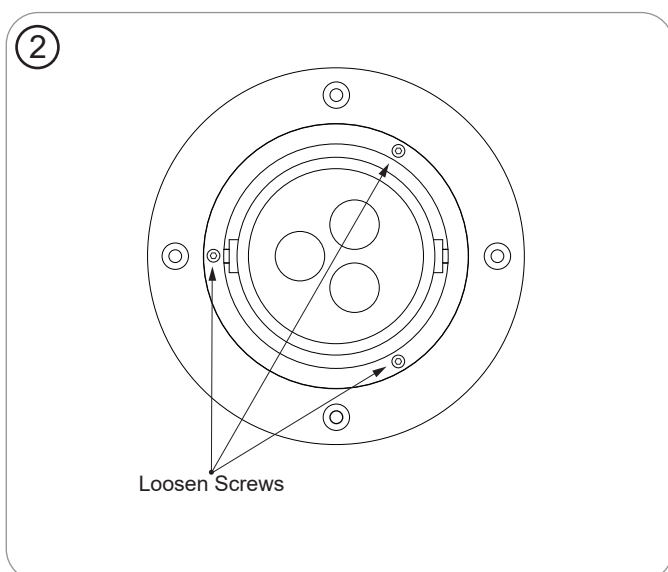
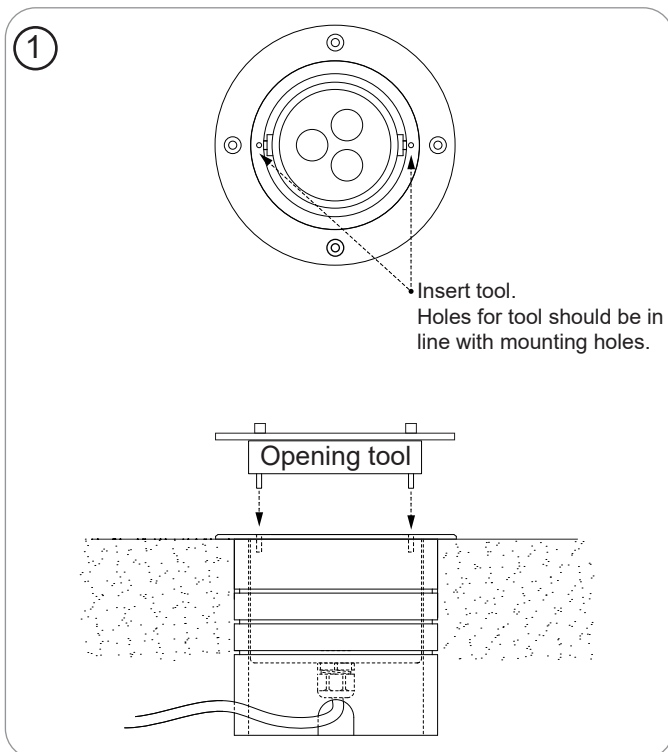
Tilt and Pan Adjustment

Step 1 Remove the magnetic coverplate with the gloves supplied. Push the coverplate down and rotate anti-clockwise to disengage the magnets and remove.

Step 2 Insert supplied tool into the front bezel tool holes. Twist to loosen bezel.

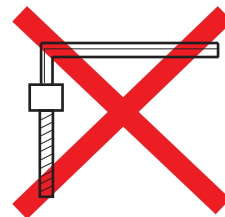
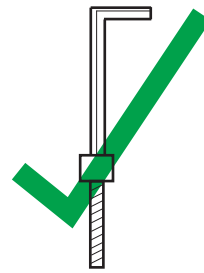
Step 3 Loosen the three screws securing the lamp tube and adjust the tilt and pan as needed.

Once the fitting has been adjusted, reverse the procedure to reassemble.



ENSURE that the locks are NOT OVER TIGHTENED

Use the Allen key as shown to be Finger Tight only



Install in well drained ground

Surface Gradient must run away from the fitting

