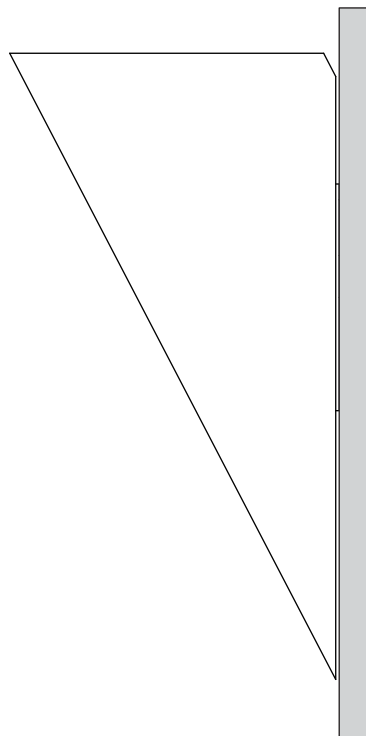




AMX


Installation and Maintenance Instructions




IMPORTANT: All wiring connections must be made before switching on mains power.

 Xicato LED Module

 This product should not be disposed of in your general waste

 Please retain these instructions for future reference

 Class III - Extra Low Voltage

IP20 Indoor Use Only

 European Conformity

Mike Stoane Lighting Ltd
20 Dryden Road Bilston Glen Ind Est.
Loanhead Midlothian EH20 9LZ UK

T: +44 (0) 131 440 1313
F: +44 (0) 131 440 0049
sales@mikestoanelighting.com

www.mikestoanelighting.com
VAT No GB682885284
Limited Company 188910

Electrical Supply

Installation must be carried out by a qualified electrician in accordance with BS 7671:2008 Wiring Regulations. 230/240V AC 50/60Hz mains supply to a suitable SELV LED Driver.

Site conditions: LED equipment is more susceptible to static damage and overvoltage than previous technology. Before handling or connecting to the mains supply ensure that all MSL products are protected from static discharge and that the mains supply is to regulation. (230V +10 -6%)

This fitting is supplied with a Xicato LED module. Refer to the fitting label for the module version and wattage. More information on the module can be found at www.xicato.com/support

Mains cables must be double insulated, strain relieved and separated from E.L.V output cables.

If using the Xicato XTM Module;
This unit requires a constant current driver. 700mA Max.

If using the Xicato XIM Module;
This unit requires a 48V constant voltage driver.

Observe polarity:
Positive (+) is marked as RED.
Incorrect supply or reverse polarity can cause irreparable damage.

All connections must be made before switching on mains.
If the supply is energised prior to making the connections to the fitting then the resulting surge will damage the LED.

All lighting equipment is delicate and easily damaged through misuse or inappropriate installation (mechanical or electrical). Repairs and replacements may cause delays and will be chargeable. Contact MSL for support if required. For full warranty terms & conditions please visit our website.

The light source contained in this luminaire shall only be replaced by the manufacturer or his service agent or a similar qualified person.

The entire dimming control circuit source must be of SELV insulation class.

Installation

Check that the mounting surface is suitable for the installation of this fitting. **Fitting Weight : 1.5kg.**

A 59mm diameter hole is required for mounting.

- Step 1 Make mains connections to the driver and feed through cutout into wall.
- Step 2 Fit first fix disc to wall with 'baybar' attachment. Orientate the slot in the disc to the 4 'o' clock position.
- Step 3 Make extra low voltage connections to the fitting via the connectors on the first fix disc.
- Step 4 Slot fitting onto first fix disc using the cutout on the disc and rotate to focus. Once the desired position is achieved, lock in place with the supplied 3mm Allen key.

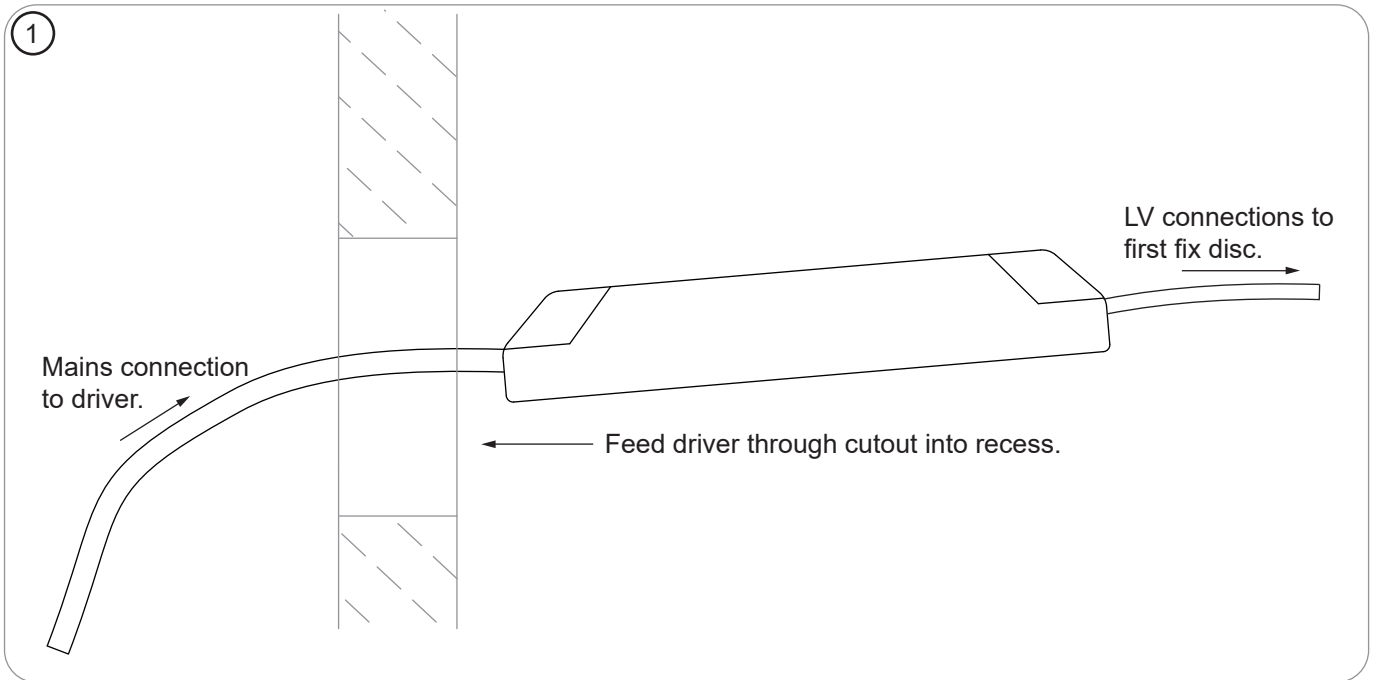
WARNING: Do not look at exposed LED lamps in operation. Eye injury can result.

Cleaning:

Fully isolate the fitting and allow to cool.

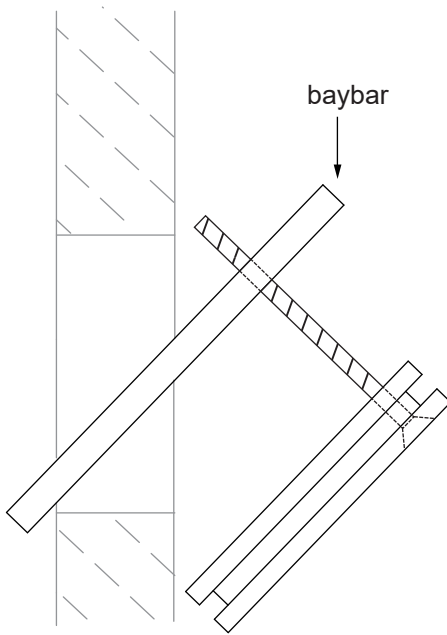
Clean the fitting with a slightly damp lint free cloth from a mild solution of soap and water. The fitting must be completely dry before reconnecting power.

Incompatible or abrasive chemicals can damage the fitting, contact MSL for advice if required.

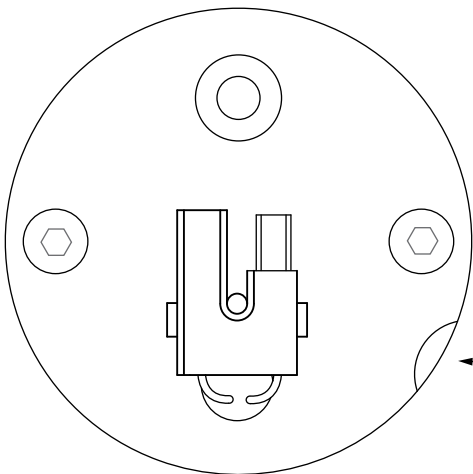
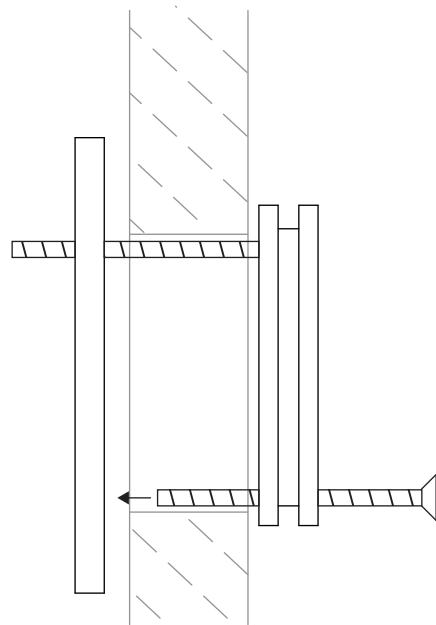


2

Fix one fixing to the baybar and feed baybar into cutout.

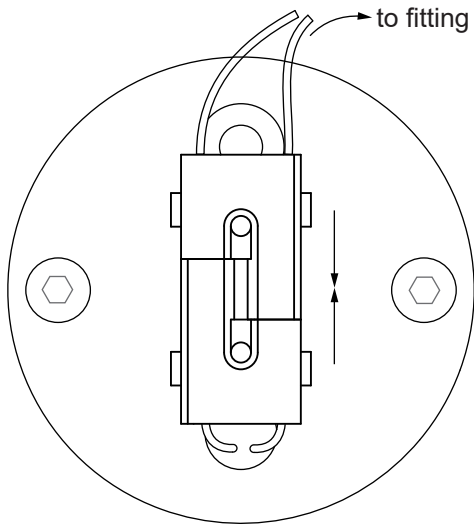


Tighten both fixings into baybar to lock in place.



→ Orientate disc so that the small cutout is at the 4 o'clock position (ie fixings will be horizontal).

3



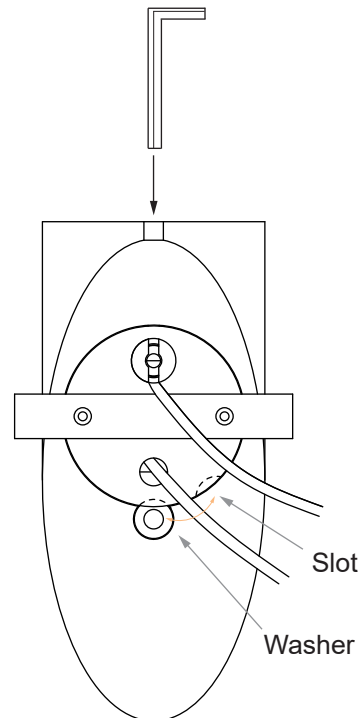
Push mating parts of supplied connector together to make extra low voltage connections.

Note that the fitting will need to be supported while making this connection.

4

Fit fitting to first fix disc by slotting the washer on the rear of the fitting over the slot in the disc. Rotate the fitting to focus as required.

Lock in place by tightening the fixing as shown with a 3mm Allen key.



MODULE AND ACCESSORIES

The fitting uses a Xicato LED module. The colour temperature and lumen output can be found on the product label on the fitting.

Isolate the fitting from the supply and allow to cool.

To replace accessory remove circlip and load accessory. Re attach circlip to secure.

